



INDUSTRIAL SHIELDS

PLC ARDUINO GPRS ARDBOX 20 I/Os FAMILY HF PLUS MODBUS

PLC ARDUINO GPRS ARDBOX 20 I/Os

FAMILY HF

PLUS



PLC Arduino GPRS ARDBOX 20 I/Os Family HF PLUS User Guide

Revised September 2024

This user guide is for version PLC Arduino GPRS ARDBOX 20 I/Os Family HF PLUS with Reference name 006001001200 or 006001001300.

Preface

This User Guide has been implemented by Boot & Work, S.L. working under the name Industrial Shields.

Purpose of the manual

The information contained in this manual can be used as a reference to operating, to functions, and to the technical data of the signal modules, power supply modules and interface modules.

Intended Audience

This User Guide is intended for the following audience:

- Persons in charge of introducing automation devices.
- Persons who design automation systems.
- Persons who install or connect automation devices.
- Persons who manage working automation installation.



Warnings:

- Unused pins should not be connected. Ignoring the directive may damage the controller.
- Improper use of this product may severely damage the controller.
- Refer to the controller's User Guide regarding wiring considerations.
- Before using this product, it is the responsibility of the user to read the product's User Guide and all accompanying documentation.
- Maintenance must be performed by qualified personnel familiarised with the construction, operation, and hazards involved with the control.
- Maintenance should be performed with the control out of operation and disconnected from all sources of power.
- Care should be taken when servicing electrostatic sensitive components. The manufacturer's recommendations for these components should be followed.

- The Ardbox Family PLCs are Open Type Controllers. It is required that you install the Ardbox PLC in a housing, cabinet, or electric control room. Entry to the housing, cabinet, or electric control room should be limited to authorised personnel. Failure to follow these installation requirements could result in severe personal injury and/or property damage. Always follow these requirements when installing Ardbox family PLCs.
- In case of installation or maintenance of the Ardbox please follow the instructions marked in the Installation and Maintenance section.
- Do not disconnect equipment when a flammable or combustible atmosphere is present. Disconnection of equipment when a flammable or combustible atmosphere is present may cause a fire or explosion which could result in death, serious injury and/or property damage.



Avertissements:

- Les broches non utilisées ne doivent pas être connectées. Ignorer la directive peut endommager le contrôleur.
- Une utilisation incorrecte de ce produit peut endommager gravement le contrôleur.
- Reportez-vous au Guide de l'utilisateur du contrôleur pour les considérations de câblage.
- Avant d'utiliser ce produit, il incombe à l'utilisateur de lire le Guide de l'utilisateur du produit et la documentation qui l'accompagne.
- La maintenance doit être effectuée par personnel qualifié familiarisé avec la fabrication, le fonctionnement et les dangers liés au contrôleur.
- La maintenance doit être effectuée avec l'équipement hors service et déconnectée de toutes les sources d'alimentation.
- Faites attention lors de l'entretien des composants sensibles à l'électricité statique. Les recommandations du fabricant pour ces composants doivent être suivies.
- Les automates de la famille Ardbox sont des contrôleurs de type ouvert. Il est nécessaire d'installer l'automate Ardbox dans un boîtier, une armoire ou une salle de contrôle électrique. L'accès au boîtier, à l'armoire ou à la salle de commande électrique doit être limité au personnel autorisé. Le non-respect de ces exigences d'installation peut entraîner des blessures graves et/ou des dommages matériels importants. Respectez toujours ces exigences lors de l'installation des automates de la famille Ardbox.
- En cas d'installation ou de maintenance du Ardbox, veuillez suivre les instructions indiquées dans la section Installation et Maintenance.
- Ne débranchez pas l'équipement en présence d'une atmosphère inflammable ou combustible. La déconnexion de l'équipement en présence d'une atmosphère inflammable ou combustible peut provoquer un incendie ou une explosion pouvant entraîner la mort, des blessures graves et/ou des dommages matériels.

Application Considerations and Warranty

Read and Understand this Manual

Please read and understand this manual before using the product. Please consult your comments or questions to Industrial Shields before using the product.

Application Consideration

THE PRODUCTS CONTAINED IN THIS DOCUMENT ARE NOT SAFETY RATED. THEY SHOULD NOT BE RELIED UPON AS A SAFETY COMPONENT OR PROTECTIVE DEVICE FOR ENSURING SAFETY OF PERSONS, AS THEY ARE NOT RATED OR DESIGNED FOR SUCH PURPOSES.

Please know and observe all prohibitions of use applicable to the products.

FOR AN APPLICATION INVOLVING SERIOUS RISK TO LIFE OR PROPERTY WITHOUT ENSURING THAT THE SYSTEM AS A WHOLE HAS BEEN DESIGNED TO ADDRESS THE RISKS, NEVER USE THE INDUSTRIAL SHIELDS PRODUCTS.

NEVER USE THE INDUSTRIAL SHIELDS PRODUCTS BEFORE THEY ARE PROPERLY RATED AND INSTALLED FOR THE INTENDED USE WITHIN THE OVERALL EQUIPMENT OR SYSTEM.

Industrial Shields shall not be responsible for conformity with any codes, regulations or standards that apply to the combination of products in the customer's application or use of the product.

The following are some examples of applications for which particular attention must be given. This is not intended to be an exhaustive list of all possible uses of the products, nor is it intended to imply that the uses may be suitable for the products:

- Systems, machines, and equipment that could present a risk to life or property.
- Nuclear energy control systems, combustion systems, railroad systems, aviation systems, medical equipment, amusement machines, vehicles, safety equipment, and installation subject to separate industry or government regulations.
- Outdoor use, uses involving potential chemical contamination or electrical interference, or conditions or uses not described in this document.

At the customer's request, INDUSTRIAL SHIELDS will provide applicable third party certification documents identifying ratings and limitations of use that apply to the products. This information by itself is not sufficient for a complete determination of the suitability of the products in combination with the system, machine, end product, or other application or use.

Intended use of Industrial Shields products

Consider the following:

Industrial Shields products should only be used for the cases of application foreseen in the catalogue and the associated technical documentation. If third-party products and components are used, they must have been recommended or approved by Industrial Shields.

The correct and safe operation of the products requires that your transport, storage, installation, assembly, operation and maintenance have been carried out in a correct manner. It must respect the permissible ambient conditions. You should also follow the indications and warnings that appear in the associated documentation.

The product / system dealt with in this documentation should only be handled or manipulated by qualified personnel for the task entrusted and observing what is indicated in the documentation corresponding to it, particularly the safety instructions and warnings included in it. Due to their training and experience, qualified personnel are in a position to recognize risks resulting from the handling or manipulation of such products / systems and to avoid possible hazards.

Disclaimers

Weights and Dimensions

Dimensions and weights are nominal and they are not used for manufacturing purposes, even when tolerances are shown.

Performance Data

The performance data given in this manual is provided as a guide for the user in determining suitability and does not constitute a warranty. It may represent the result of INDUSTRIAL SHIELDS's test conditions, and the users must correlate it to actual application requirements. Actual performance is subject to the INDUSTRIAL SHIELDS Warranty and Limitations of Liability.

Errors and Omissions

The information in this document has been carefully checked and is believed to be accurate; however, no responsibility is assumed for clerical, typographical, or proofreading errors, or omissions.

Residual Risks

The control and drive components of an Industrial Shields PLC are approved for industrial and commercial use in industrial line supplies. Their use in public line supplies requires a different configuration and/or additional measures. These components may only be operated in closed housings or in higher-level control cabinets with protective covers that are closed, and when all of the protective devices are used. These components may only be handled by qualified and trained technical personnel who are knowledgeable and observe all of the safety information and instructions on the components and in the associated technical user documentation. When carrying out a risk assessment of a machine in accordance with the EU Machinery Directive, the machine manufacturer must consider the following residual risks associated with the control and drive components of a PDS.

1. Unintentional movements of driven machine components during commissioning, operation, maintenance, and repairs caused by, for example: – Hardware defects and/or software errors in the sensors, controllers, actuators, and connection technology – Response times of the controller and drive – Operating and/or ambient conditions not within the scope of the specification – Condensation / conductive contamination – Parameterization, programming, cabling, and installation errors – Use of radio devices / cellular phones in the immediate vicinity of the controller – External influences / damage.
2. Exceptional temperatures as well as emissions of noise, particles, or gas caused by, for example: – Component malfunctions – Software errors – Operating and/or ambient conditions not within the scope of the specification – External influences / damage.
3. Hazardous shock voltages caused by, for example: – Component malfunctions – Influence of electrostatic charging – Induction of voltages in moving motors – Operating and/or ambient conditions not within the scope of the specification – Condensation / conductive contamination – External influences / damage
4. Electrical, magnetic and electromagnetic fields generated in operation that can pose a risk to people with a pacemaker, implants or metal replacement joints, etc. if they are too close.
5. Release of environmental pollutants or emissions as a result of improper operation of the system and/or failure to dispose of components safely and correctly.

Warranty and Limitations of Liability

Warranty

Industrial Shields’s exclusive warranty is that the products are free from defects in materials and workmanship for a period of one year (or other period if specified) from date of sale by Industrial Shields.

INDUSTRIAL SHIELDS MAKES NO REPRESENTATION OR WARRANTY, EXPRESSED OR IMPLIED, REGARDING MERCHANTABILITY, NON-INFRINGEMENT, OR FITNESS FOR PARTICULAR PURPOSE OF THE PRODUCTS. ANY BUYER OR USER ACKNOWLEDGES THAT THE BUYER OR USER ALONE HAS DETERMINED THAT THE PRODUCTS WILL SUITABLY MEET THE REQUIREMENTS OF THEIR INTENDED USE. INDUSTRIAL SHIELDS DISCLAIMS ALL OTHER WARRANTIES, EXPRESS OR IMPLIED

Limitations of Liability

INDUSTRIAL SHIELDS SHALL NOT BE RESPONSIBLE FOR SPECIAL, INDIRECT, OR CONSEQUENTIAL DAMAGES, LOSS OF PROFITS OR COMERCIAL LOSS IN ANY WAY CONNECTED WITH THE PRODUCTS, WHETHER SUCH CLAIM IS BASED ON CONTRACT, WARRANTY, NEGLIGENCE, OR STRICT LIABILITY.

IN NO EVENT SHALL INDUSTRIAL SHIELDS BE RESPONSIBLE FOR WARRANTY, REPAIR OR OTHER CLAIMS REGARDING THE PRODUCTS UNLESS INDUSTRIAL SHIELDS’S ANALYSIS CONFIRMS THAT THE PRODUCTS WERE PROPERLY HANDLED, STORED, INSTALLED, AND MAINTAINED AND NOT SUBJECT TO CONTAMINATION, ABUSE, MISUSE, OR INAPPROPRIATE MODIFICATION OR REPAIR.

Table of Contents

| | |
|---|-----------|
| 1. GPRS Ardbox Family HF: General Features..... | 11 |
| 2. Technical Specifications..... | 12 |
| 2.1 General Specifications..... | 12 |
| 2.2 Performance Specification..... | 12 |
| 2.3 Symbology..... | 13 |
| 3. Precautions..... | 14 |
| 3.1 Arduino Board..... | 14 |
| 3.2 Intended Audience..... | 14 |
| 3.3 General Precautions..... | 14 |
| 3.4 Isolation Precautions..... | 14 |
| 4. Software interface..... | 15 |
| 5. How to connect PLC Arduino to PC..... | 18 |
| 6. How to connect PLC to power supply..... | 19 |
| 7. Ardbox GPRS pinout..... | 20 |
| 8. Ardbox GPRS Family I/O serigraphy..... | 21 |
| 8.1 006001001200 Zone Connections..... | 21 |
| 8.2 006001001300 Relay Zone Connections..... | 23 |
| 9. Switch configuration..... | 25 |
| 9.1 006001001200 Analog Model General Switches Configuration..... | 25 |
| 9.2 006001001300 Relay Model General Switches Configuration..... | 27 |
| 9.3 006001001200 Analog RS-232 and RS-485 Switch Configuration..... | 29 |
| 9.4 006001001300 Relay RS-232 and RS-485 Switch Configuration..... | 30 |
| 9.5 006001001200 Analog I2C Switch Configuration..... | 31 |
| 9.6 006001001300 Relay I2C Switch Configuration..... | 31 |
| 10. Jumper Configuration..... | 32 |
| 10.1 006001001200 Analog General Jumper Configuration..... | 32 |
| 10.2 006001001300 Relay General Jumper Configuration..... | 33 |
| 11. Hardware Serial RS-232 & RS-485 Configuration..... | 34 |
| 11.1 006001001200 Analog Hardware Serial RS-485..... | 34 |
| 11.2 006001001200 Analog Hardware Serial RS-232..... | 35 |
| 11.3 006001001300 Relay Hardware Serial RS-485..... | 36 |
| 11.4 006001001300 Relay Hardware Serial RS-232..... | 37 |
| 12. Ardbox - Arduino I/Os 5V pins..... | 38 |
| 12.1 I2C pins – SDA/SCL..... | 38 |
| 12.2 Pin 3..... | 38 |
| 13. GPRS & GSM..... | 39 |
| 14. GPRS & GSM Programming Examples..... | 40 |




| | |
|---|-----------|
| 14.1 How to use the GPRS Module..... | 40 |
| 14.2 How to send SMS using GPRS from a GPRS Ardbox PLC..... | 40 |
| 15. Digital inputs threshold detection..... | 40 |
| 16. I/O technical details..... | 41 |
| 17. Typical Connections..... | 44 |
| 18. Connector details..... | 48 |
| 19. ARDBOX Family Dimensions..... | 49 |
| 20. Installation and Maintenance..... | 50 |
| 21. Revision Table..... | 53 |

1. GPRS Ardbox Family HF: General Features

| COMPACT PLC ARDUINO GPRS ARDBOX 20I/Os Family LOG HF PLUS | | |
|---|--|--|
| Input Voltage | 12 to 24Vdc === | Fuse protection (2.5A) Polarity protection |
| Input rated voltage | 24Vdc === | |
| Rated Power | 30W | |
| I Max. | 1.5A | |
| Size | 100x45x115 | |
| Clock Speed | 16MHz | |
| Flash Memory | 32KB of which 4KB are used by bootloader | |
| SRAM | 2.5KB | |
| EEPROM | 1KB | |
| Communications | I2C -- USB -- RS232 -- RS485 | RS485 |
| An/Dig Input 10bit (0-10Vcc) | 0 to 10Vdc Input Impedance: 39K Separated PCB ground Rated Voltage: 10Vdc 5 to 24Vdc I min: 2 to 12mA Galvanic Isolation Rated Voltage: 24 Vdc === | *Check Section 15 for digital inputs threshold detection |
| * Interrupt isolated Input HS (24Vcc) | 5 to 24Vdc I min: 2 to 12mA Galvanic Isolation Rated Voltage: 24Vdc | 5 to 24Vdc I min: 3/6mA Separated PCB ground |
| Analog Output 8bit (0-10Vcc) | 0 to 10Vdc I max: 20mA Separated PCB ground Rated Voltage: 10Vdc === | |
| Digital Isolated Output (24Vcc) | 5 to 24Vdc I max: 70mA Galvanic Isolation Diode Protected for Relay Rated Voltage: 24Vdc === | I _{max} 24Vdc: 410mA |
| Digital Isolated Output Relay | 30Vdc / 250Vac Galvanic Isolation Diode protected for Relay === | I _{max} : 3A (30Vdc) I _{max} : 5A (250Vac) |
| PWM Isolated Output 8bit (24Vcc) | 5 to 24Vdc I max: 70mA Galvanic Isolation Diode Protected for Relay Rated Voltage: 24Vdc === | PWM Isolated Output 8bit (24Vcc) |
| Expandability | I2C – RS232 – RS485 – TTL | |
| Reference | 006001001200 006001001300 | Analog Relay |

2. Technical Specifications

2.1 General Specifications

| | | |
|--|-------------------------------------|---|
| Power supply voltage | DC power supply | 12 to 24Vdc  |
| Operating voltage range | DC power supply | 11.4 to 25.4Vdc  |
| Power consumption | DC power supply | 30W max. |
| External power supply | Power supply voltage | 24Vdc  |
| | Power supply output capacity | 700mA |
| Insulation resistance | | 20MΩ min. at 500Vdc between the AC terminals and the protective ground terminal. |
| Dielectric strength | | 2.300Vac at 50/ 60 Hz for one minute with a leakage current of 10mA max. Between all the external AC terminals and the protective earth terminal. |
| Shock resistance | | 80m/s ² in the X, Y and Z direction 2 times each. |
| Ambient temperature (operating) | | 0° to 60°C |
| Ambient humidity (operating) | | 10% to 90% (no condensation) |
| Ambient environment (operating) | | With no corrosive gas |
| Ambient temperature (storage) | | -20° to 60°C |
| Power supply holding time | | 2ms min. |
| Weight | | 350g max. |




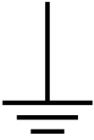




2.2 Performance Specification

| | |
|--------------------------------|---|
| Arduino Board | ARDUINO LEONARDO |
| Control method | Stored program method |
| I/O control method | Combination of the cyclic scan and immediate refresh processing methods. |
| Programming language | Arduino IDE. Based on wiring (Wiring is an Open Source electronics platform composed of a programming language. "similar to the C"). http://arduino.cc/en/Tutorial/HomePage |
| Microcontroller | ATmega32u4 |
| Flash Memory | 32KB of which 4KB are used by bootloader |
| Program capacity (SRAM) | 2.5KB |
| EEPROM | 1KB |
| Clock Speed | 16MHz |

2.3 Symbology

Table that includes all the symbology that is used in the serigraph of the GPRS Ardbox Family

HF+:

| Symbol | Standard No. / Standard Title | Standard Reference No. / Symbol Title | Symbol Meaning |
|---|--|---------------------------------------|--|
|  | IEC 60417 / Graphical symbols for use on equipment | 5031 / Direct Current | Indicates that the equipment is suitable for direct current only; to identify relevant terminals |
|  | IEC 60417 / Graphical symbols for use on equipment | 5032 / Alternating Current | Indicates that the equipment is suitable for alternating current only; to identify relevant terminals |
|  | IEC 60417 / Graphical symbols for use on equipment | 5130 / Pulse General | To identify the control by which a pulse is started. |
|  | IEC 60417 / Graphical symbols for use on equipment | 5017 / Earth, Ground | To identify an earth (ground) terminal in cases where neither the symbol 5018 nor 5019 is explicitly required. |
|  | IEC 60417 / Graphical symbols for use on equipment | 5115 / Signal lamp | To identify the switch by means of which the signal lamp(s) is (are) switched on or off. |
|  | Medical Devices Directive 93/42/EEC | CE Marking | CE marking indicates that a product complies with applicable European Union regulations |
|  | ISO 7000/ Graphical symbols for use on equipment | 0434B / Warning symbol | Indicates a potentially hazardous situation which, if not avoided, could result in death or serious injury |
|  | ISO 7000/ Graphical symbols for use on equipment | 5036 / Dangerous Voltage | To indicate hazards arising from dangerous voltages |

3. Precautions

Read this manual before attempting to use the ARDBOX 20 I/Os Family HF GPRS PLUS and follow its descriptions for reference during operation.

3.1 Arduino Board

The ARDBOX 20 I/Os Family HF GPRS PLUS PLCs include Arduino Leonardo Board as controller.

3.2 Intended Audience

This manual is intended for technicians, which must have knowledge on electrical systems.

3.3 General Precautions

The user must operate Ardbox according to the performance specifications described in this manual.

Before using ARDBOX 20 I/Os Family HF GPRS PLUS under different conditions from what has been specified in this manual or integrating ARDBOX 20 I/Os Family HF GPRS PLUS to nuclear control systems, railroad systems, aviation systems, vehicles, combustion systems, medical equipment, amusement machines, safety equipment and other systems, machines, and equipment that may have a serious influence on lives and property if used improperly, consult your INDUSTRIAL SHIELDS representative. Ensure that the rating and performance characteristics of Ardbox are sufficient for the systems, machines, and equipment, and be sure to provide the systems, machines, and equipment double safety mechanisms. This manual provides information for programming and operating the Ardbox.

3.4 Isolation Precautions

Description:

This equipment does **not include galvanic isolation between the grounds** of the different systems. This means that if an external device or sensor that shares the same ground reference (GND) with the system is connected, any potential difference between these grounds could damage the connected components. To avoid issues with interference, ground loops, or damage to external equipment, ensure that all connected devices share the same ground reference or use systems with appropriate isolation.

Recommendations:

- **Connection Review:** Verify that all ground connections are properly made and that there are no significant potential differences between them.
- **Use of Isolation:** Consider using galvanic isolators or isolation transformers if it is necessary to connect equipment with different ground references.

4. Software interface

Industrial Shields PLC are programmed using Arduino IDE, which is a software based on the C language. They can also be programmed directly using C, but it is much easier working with Arduino IDE, as it provides lots of useful libraries.

Industrial Shields provide a boards package for programming the PLCs, making it easier and friendlier. It includes various facilities such as not having to define the pins, etc.

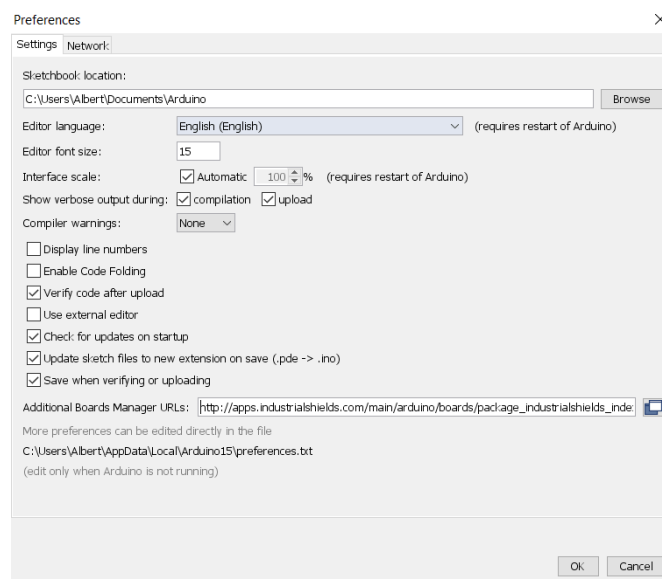
In order to install Industrial Shields boards, these are the steps that must be followed.

Requirements:

Arduino IDE 1.8.15 or above (recommended: 1.8.19).

Steps:

1. Open Arduino IDE and go to: "File -> Preferences" located in the top left corner.

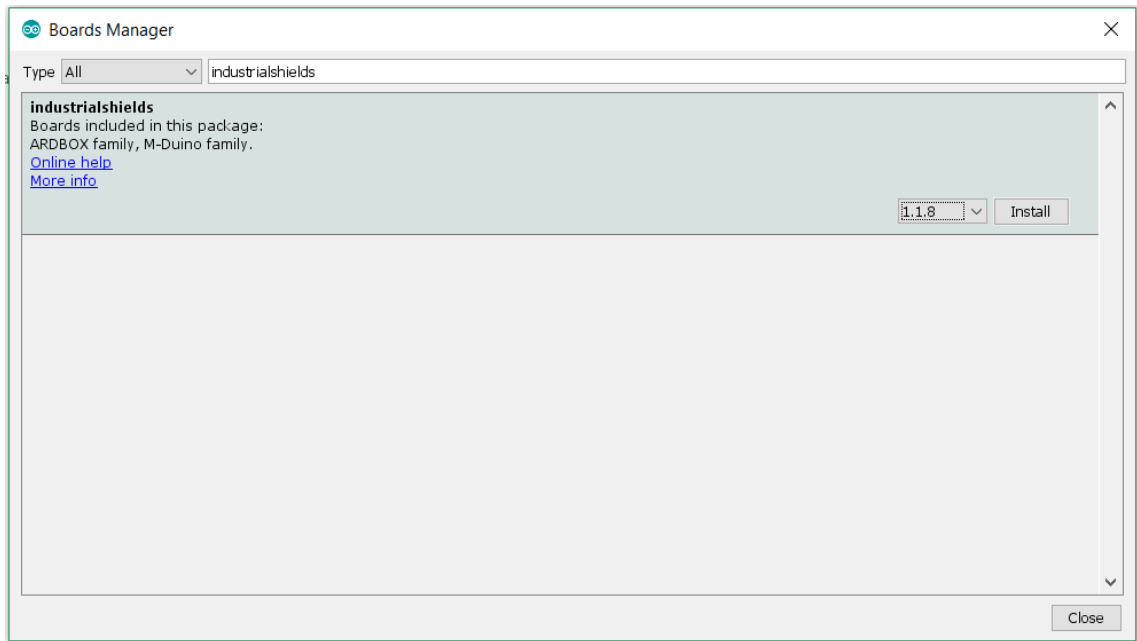


2. In Additional Boards URLs write the following:

http://apps.industrialshields.com/main/arduino/boards/package_industrialshields_index.json

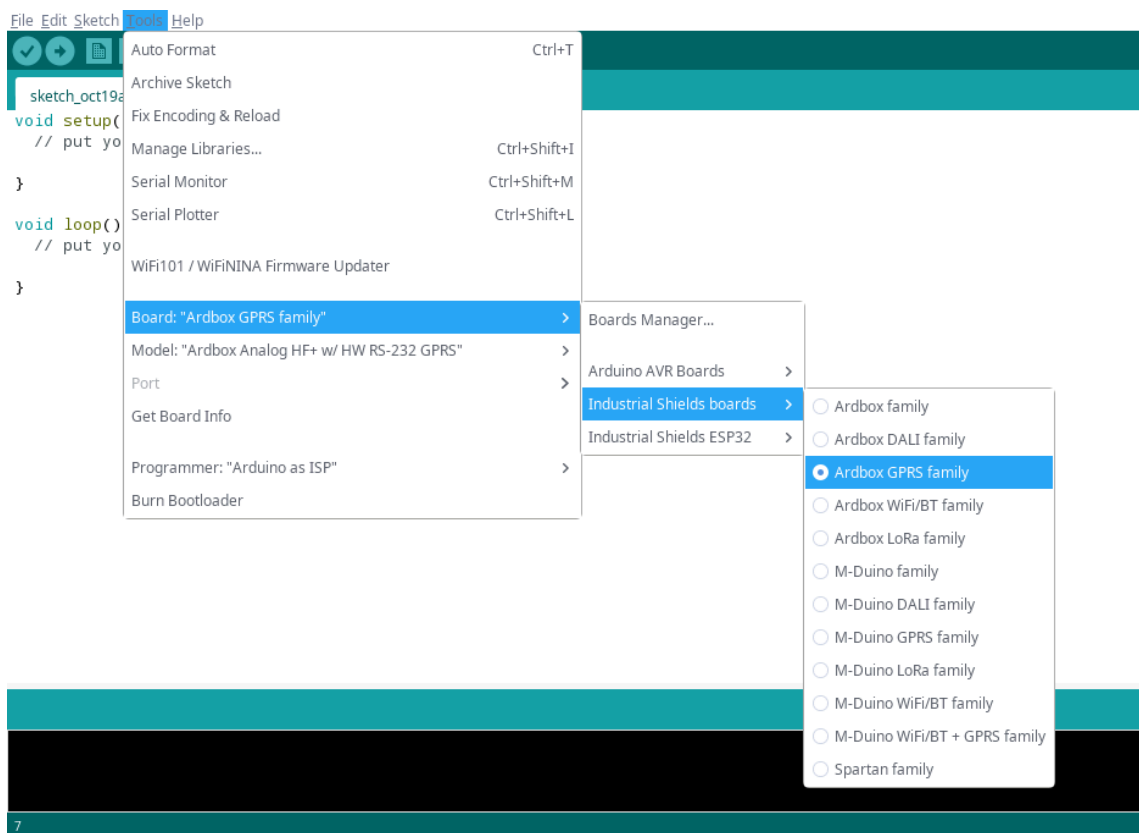
3. Press OK to save the changes.
4. Go to: Tools -> Board: ... -> Boards Manager

5. Search for industrialshields.



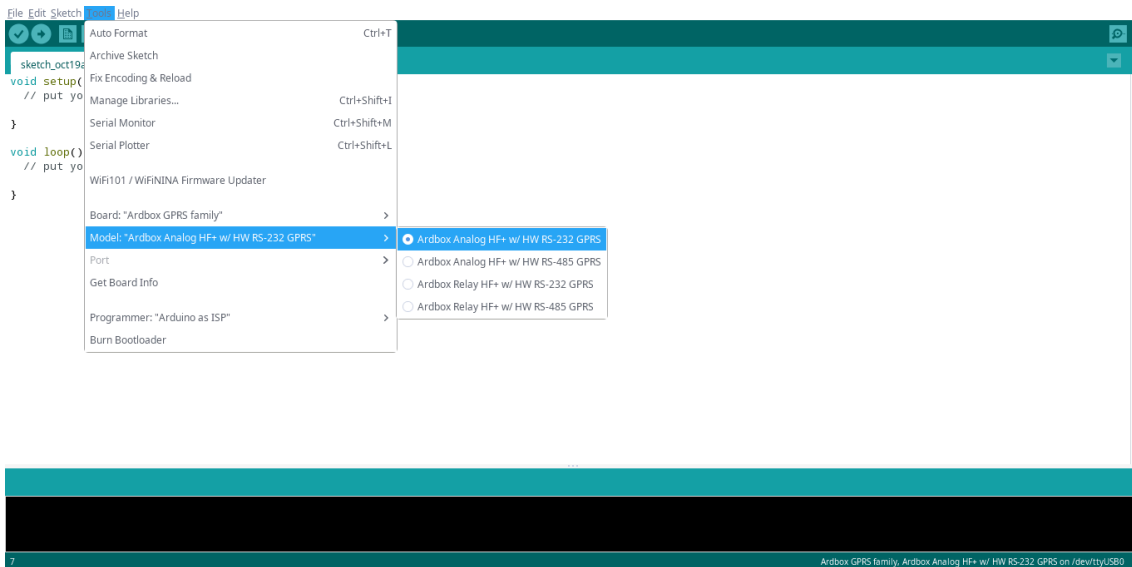
6. Click install (selecting the latest version).

Following this steps you will be able to use now the Industrial Shields Boards:



Once the Ardbox Family is selected, an extra option will appear on Tools:

- Select the correct Ardbox Family HF PLUS Board (Ardbox Analog HF+ w/HW RS-232 GPRS, Ardbox Analog HF+ w/HW RS-485 GPRS, Ardbox Relay HF+ w/HW RS-232 GPRS or Ardbox Relay HF+ w/HW RS-485 GPRS) depending on your jumpers & switch configuration.



Also there are some examples of programming in File -> Examples -> Ardbox GPRS Family.

Furthermore there are some extra libraries that can be found in Industrial Shields GitHub:

<https://github.com/Industrial-Shields/>

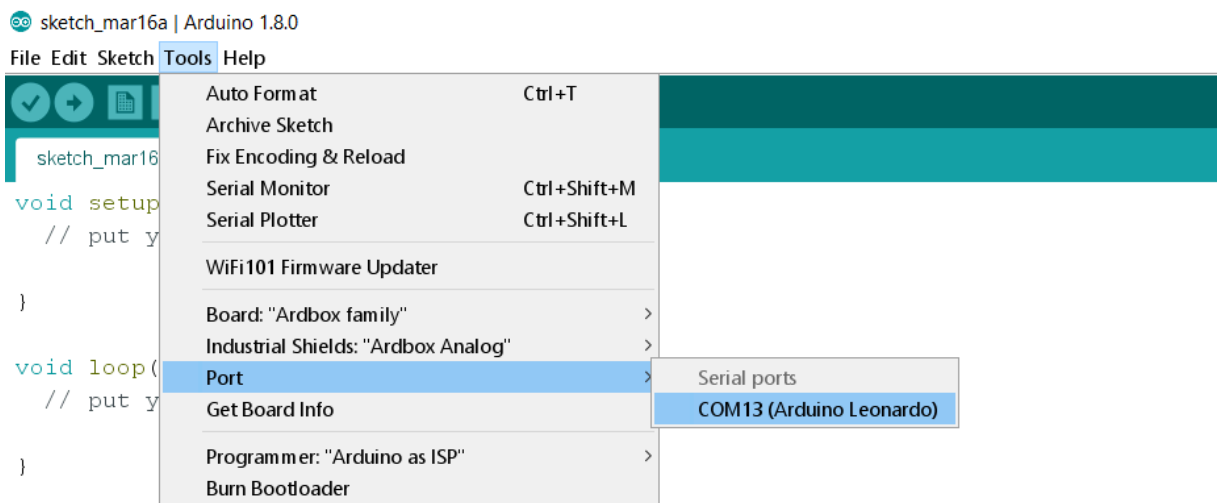
5. How to connect PLC Arduino to PC

- Connect USB port from PLC to PC.

NOTE:
Ardbox Family uses micro USB cable.

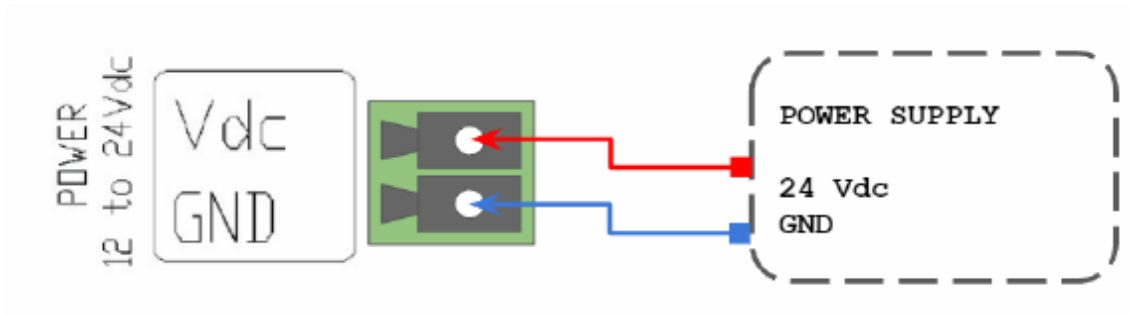


- Open Arduino IDE interface:
- Select Industrial Shields boards -> Ardbox GPRS Family
- Select the correct port.



6. How to connect PLC to power supply

- Ardbox GPRS Family PLCs are 12-24Vdc supplied. **IMPORTANT: The polarity IS NOT REVERSIBLE!**
- Make sure that the live and GND connector of the power supply match the PLC.
- Make sure that the power supply mains output is not higher than 24Vdc.



- Suggested power suppliers

Compact DIN rail power supply. Assembled on 35mm

DIN Rail:

-12Vdc / 24Vdc

-2.5A

-30W

Industrial Shields power supplies provide parallel operation, overvoltage protection, and overcurrent protection. There is a LED indicator for power status, the power supply is certified according to UL.



The standard, Part 1 of IEC 61010, sets the general safety requirements for the following types of electrical devices and their accessories, regardless of where use of the device is intended.

The equipment must be powered from an external power source in accordance with IEC 61010-1, whose output is MBTS and is limited in power according to section 9.4 of IEC 61010-1.

WARNING: Once the equipment is installed inside an electrical cabinet, the MTBS cables of the equipment must be separated from the dangerous voltage cables.

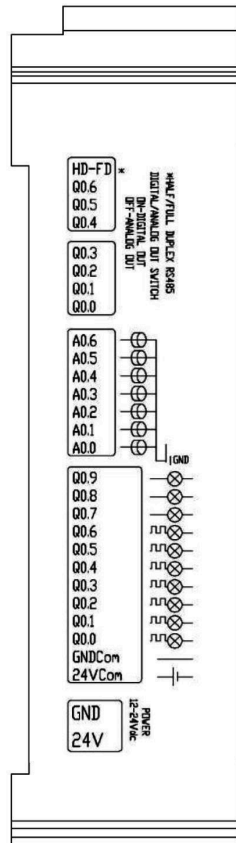
7. Ardbox GPRS pinout

| | | IOs Table | | | | |
|--------|--------------|--------------|------------------------|-------------------------|-------------------------|--------------|
| Model | Reference | Analog Input | Digital Isolated Input | Digital Isolated Output | Digital/Analogic Output | Relay Output |
| ANALOG | 006001001200 | 8 | 9 | 10 | 7 | 0 |
| RELAY | 006001001300 | 8 | 9 | 0 | 2 | 8 |

8. Ardbox GPRS Family I/O serigraphy

8.1 006001001200 Zone Connections

| LEFT ZONE | | |
|-------------------|-------------|--------------------|
| Ardbox Connector | Arduino Pin | Function |
| A0.6 ¹ | 3 | Analog Out |
| A0.5 ¹ | 5 | Analog Out |
| A0.4 ¹ | 6 | Analog Out |
| A0.3 ¹ | 9 | Analog Out |
| A0.2 ¹ | 10 | Analog Out |
| A0.1 ¹ | 11 | Analog Out |
| A0.0 ¹ | 13 | Analog Out |
| Q0.9 ² | 1 | Digital Output |
| Q0.8 ² | 0 | Digital Output |
| Q0.7 | 7 | Digital Output |
| Q0.6 ¹ | 3 | PWM/digital Output |
| Q0.5 | 5 | PWM/digital Output |
| Q0.4 | 6 | PWM/digital Output |
| Q0.3 | 9 | PWM/digital Output |
| Q0.2 | 10 | PWM/digital Output |
| Q0.1 | 11 | PWM/digital Output |
| Q0.0 | 13 | PWM/digital Output |
| GNDCOM | - | GND |
| 24VCOM | - | Power Supply |



LEFT ZONE

Switch config*

(see section 8 for Communications configuration. Enabling Communications disables some I/Os)

Analog Outputs pins

Digital Outputs pins

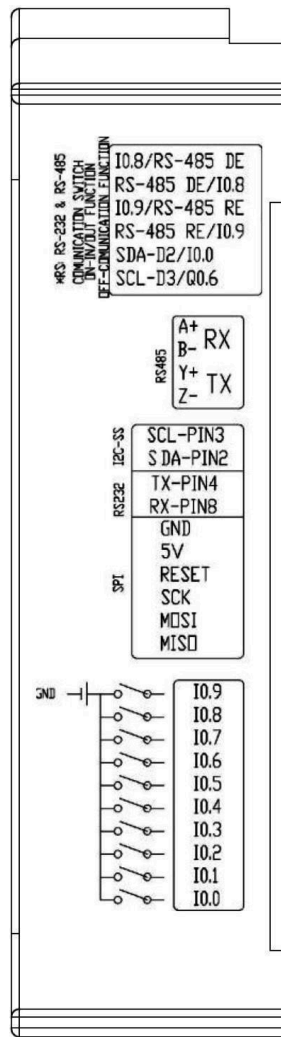
Power supply connectors (24Vdc – GND)

¹ See [section 8](#) to enable these connections

² See [section 9](#) to enable these connections

| RIGHT ZONE | | |
|-----------------------------|-------------|----------------------|
| Ardbox Connector | Arduino Pin | Function |
| A+ ^{3,4} | - | RS485(A) |
| B- ^{3,4} | - | RS485(B) |
| Y+ ^{3,4} | - | RS485(Y) |
| Z- ^{3,4} | - | RS485(Z) |
| SCL-PIN3 ³ | 3 | SCL(I2C) |
| SDA - RST GPRS ³ | 2 | SDA (I2C) - RST GPRS |
| TX-RS232 ^{3,4} | 1 | - |
| RX-RS232 ^{3,4} | 0 | - |
| GND | - | Ground |
| 5V | - | 5Vout DC |
| RESET | - | RESET |
| NC | - | - |
| NC | - | - |
| NC | - | - |
| I0.9 | 18 | Analog/Digital Input |
| I0.8 | 19 | Analog/Digital Input |
| I0.7 | 20 | Analog/Digital Input |
| I0.6 | 21 | Analog/Digital Input |
| I0.5 | 22 | Analog/Digital Input |
| I0.4 | 23 | Analog/Digital Input |
| I0.3 ³ | 8 | Analog/Digital Input |
| I0.2 ³ | 4 | Analog/Digital Input |
| I0.1 | 12 | Digital Input |
| I0.0 ³ | 2 | Digital interrupt |

HS*: Hardware Serial
 SS*: Software Serial

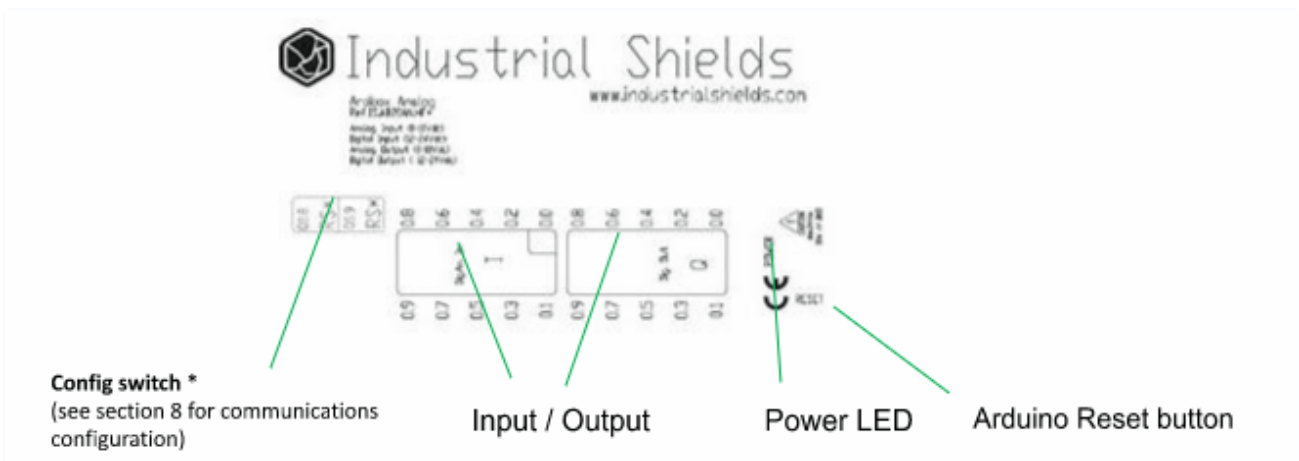


RIGHT ZONE

Switch config*
 (see section 8 for Communications configuration. Enabling Communications disables some I/Os)

Communication pins

Digital/Analog



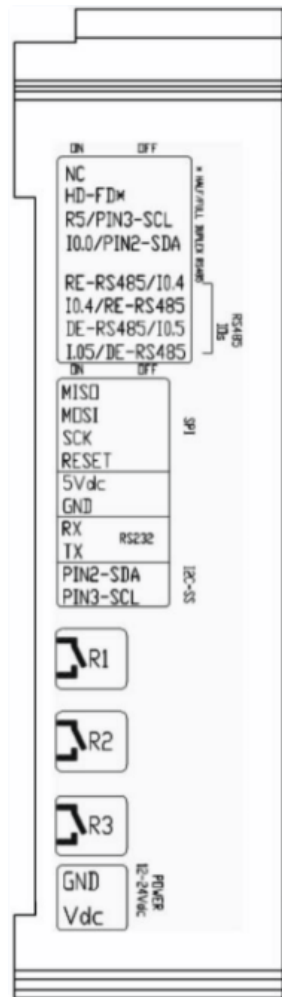
³ See [section 8](#) to enable these connections
⁴ See [section 9](#) to enable these connections

8.2 006001001300 Relay Zone Connections

| Left Zone | | |
|--------------------------|-------------|-----------------|
| Ardbox Connector | Arduino Pin | Function |
| NC | - | - |
| NC | - | - |
| NC | - | - |
| RESET | - | RESET |
| 5Vdc | - | 5V Output |
| GND | - | GND |
| RX-RS-232 ^{5,6} | 8 | Serial/RS232 |
| TX-RS-232 ^{5,6} | 4 | Serial/RS232 |
| SDA - RST GPRS | 2 | SDA- RESET GPRS |
| SCL-PIN3 ⁵ | 3 | SCL - SS |
| R1 | 10 | Relay 1 Out |
| R2 | 9 | Relay 2 Out |
| R3 | 6 | Relay 3 Out |
| GND | - | GND |
| 24V | - | - |

HS*: Hardware Serial

SS*: Software Serial



LEFT ZONE

Switch config*

(see section 8 for Communications configuration. Enabling Communications disables some I/Os)

Communication pins

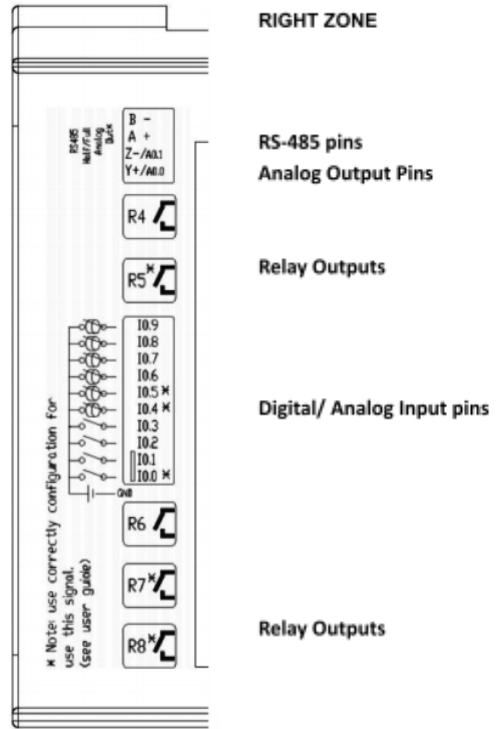
Relay Outputs

Power supply connectors
(24Vdc - GND)

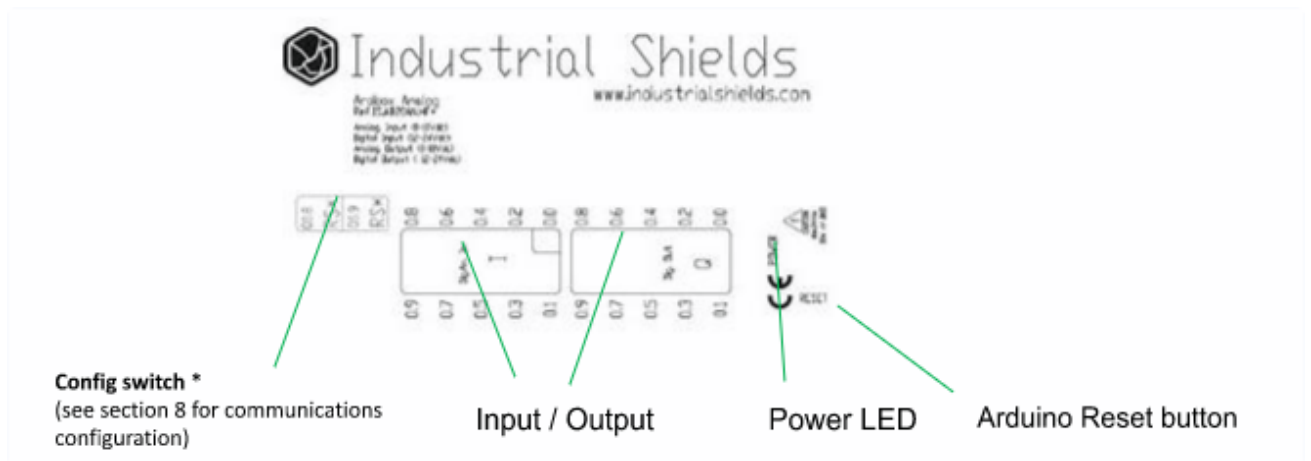
⁵ See [section 8](#) to enable these connections

⁶ See [section 9](#) to enable these connections

| Right Zone | | |
|------------------|-------------|----------------------------|
| Ardbox Connector | Arduino Pin | Function |
| B- | - | RS485 |
| A+ | - | RS485 |
| Z-/A0.1 | 11 (FD)* | RS485/ Digital Output |
| Y+/A0.0 | 13 (FD)* | RS485/ Digital Output |
| R4 | 5 | Relay 4 Out |
| R5 | 3 | Relay 5 Out |
| 10.9 | 23 | Analog/ Digital Input |
| 10.8 | 22 | Analog/ Digital Input |
| 10.7 | 21 | Analog/ Digital Input |
| 10.6 | 20 | Analog/ Digital Input |
| 10.5 | 19 | Analog/ Digital Input |
| 10.4 | 18 | Analog/ Digital Input |
| 10.3 | 8 | Digital Optoisolated Input |
| 10.2 | 4 | Digital Optoisolated Input |
| 10.1 | 12 | Digital Optoisolated Input |
| 10.0 | 2 | Digital Input / Interrupt |
| R6 | 7 | Relay 6 Out |
| R7 | 0 | Relay 7 Out |
| R8 | 1 | Relay 8 Out |



*Depending on the mode HD/FD the Y+/Z- Analog Output pins are enabled or disabled. See [section 9](#) to see the configurations.



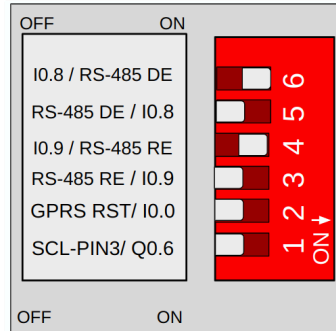
9. Switch configuration

9.1 006001001200 Analog Model General Switches Configuration

LEFT ZONE SWITCH

Communications and inputs/outputs can not work simultaneously.

| LEFT ZONE | | |
|------------------------------|------------|-----------|
| SWITCH | OFF | ON |
| 10.8 / RS-485 DE | I0.8 | RS-485 DE |
| RS-485 DE / 10.8 | RS-485 DE | I0.8 |
| 10.9 / RS-485 RE | I0.9 | RS-485 RE |
| RS-485 RE / 10.9 | RS-485 RE | I0.9 |
| SDA - GPRS RST / 10.0 | SDA - GPRS | I0.0 |
| SCL-PIN3 / Q0.6 | SCL-D3 | Q0.6 |



6. 10.8 / RS-485 DE – If this switch is ON the RS-485 DE is activated, otherwise the I0.8 will be activated.

5. RS-485 DE / 10.8 – If this switch is ON the I0.8 is activated, otherwise the RS-485 DE will be activated.

Note To work with RS-485 DE, switch number 6 at ON and number 5 at OFF.*

4. 10.9 / RS-485 RE – If this switch is ON the RS-485 RE is activated, otherwise the I0.9 will be activated.

3. RS-485 / 10.9 – If this switch is ON the I0.9 is activated, otherwise the RS-485 RE will be activated.

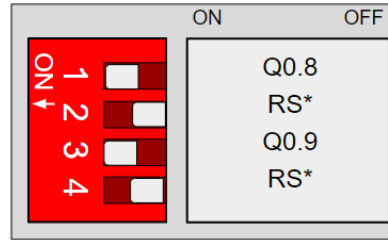
Note To work with RS-485 RE, switch number 4 at ON and number 3 at OFF.*

2. GPRS RST / 10.0 – If this switch is ON the I0.0 is activated, otherwise the (I2C) SDA - GPRS RST will be activated.

1. SCL-D3 / Q0.6 – If this switch is ON the Q0.6 is activated, otherwise the (I2C) SCL-D3 will be activated.

TOP ZONE SWITCH

| TOP ZONE | | |
|-------------|------|------|
| SWITCH | ON | OFF |
| Q0.8 | Q0.8 | RS* |
| RS* | RS* | Q0.8 |
| Q0.9 | Q0.9 | RS* |
| RS* | RS* | Q0.9 |

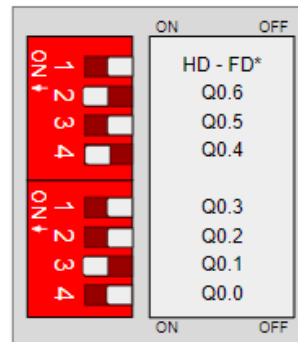


- Q0.8** - If this switch is ON the Q0.8 is activated, otherwise the RS* will be activated.
- RS*** - If this switch is ON the RS* is activated, otherwise the Q0.8 will be activated.
- Q0.9** - If this switch is ON the Q0.9 is activated, otherwise the RS* will be activated.
- RS*** - If this switch is ON the RS* is activated, otherwise the Q0.9 will be activated.

Note RS* can be RS-485 or RS-232 depending on the jumper configuration you have chosen. To work with RS*, switches number 1 and 3 at OFF and number 2 and 4 at ON.*

RIGHT ZONE SWITCH

| RIGHT ZONE | | |
|----------------|----------------|---------------|
| SWITCH | ON | OFF |
| HD / FD | Half Duplex | Full Duplex |
| Q0.6 | DIGITAL (Q0.6) | ANALOG (A0.6) |
| Q0.5 | DIGITAL (Q0.5) | ANALOG (A0.5) |
| Q0.4 | DIGITAL (Q0.4) | ANALOG (A0.4) |
| Q0.3 | DIGITAL (Q0.3) | ANALOG (A0.3) |
| Q0.2 | DIGITAL (Q0.2) | ANALOG (A0.2) |
| Q0.1 | DIGITAL (Q0.1) | ANALOG (A0.1) |
| Q0.0 | DIGITAL (Q0.0) | ANALOG (A0.0) |



RIGHT ZONE.

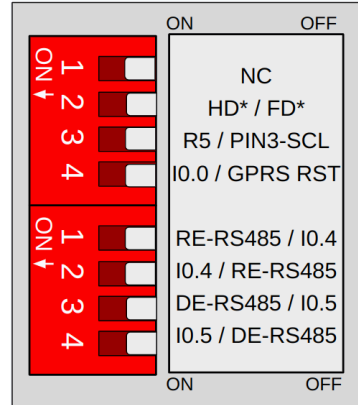
- HD/FD** – Choosing between Half/Full Duplex for the RS485 communication. In order to use Full Duplex, it has to be considered the TOP ZONE and the JUMPER ZONE (see [section 9](#)).
- 2-8. Q0.X/A0.X** – The right zone configures the outputs. If the switch is set to “ON” the Q0.X will have the behaviour of a digital output. If it is set to “OFF” it will be analog.

9.2 006001001300 Relay Model General Switches Configuration

LEFT ZONE SWITCH

Communications and inputs/outputs can not work simultaneously.

| LEFT ZONE | | |
|---------------------|-------------|-------------|
| SWITCH | ON | OFF |
| NC | - | - |
| HD/FD* | Half Duplex | Full Duplex |
| R5 / Pin 3-SCL | R5 | Pin 3 - SCL |
| I0.0 / GPRS RST-SDA | I0.0 | GPRS - SDA |
| RE-RS485 / I0.4 | RE-RS485 | I0.4 |
| I0.4 / RE-RS485 | I0.4 | RE-RS485 |
| DE-RS485 / I0.5 | DE-RS485 | I0.5 |
| I0.5 / DE-RS485 | I0.5 | DE-RS485 |



1. **NC** – Not Connected
2. **HD/FD*** – Choosing between Half/Full Duplex for the RS485 communication. In order to use Full Duplex, it has to be considered the TOP ZONE and the JUMPER ZONE (see [section 9](#)).
3. **R5 / Pin3-SCL** – If this switch is ON the R5 is activated, otherwise the Pin3 - SCL will be activated.
4. **I0.0 / GPRS RST - SDA** – If this switch is ON the I0.0 is activated, otherwise the GPRS RST - SDA will be activated.

1. **RE-RS485 / I0.4** – If this switch is ON the RE-RS485 is activated, otherwise the I0.4 will be activated.
2. **I0.4 / RE-RS485** – If this switch is ON the I0.4 is activated, otherwise the RE-RS485 will be activated.

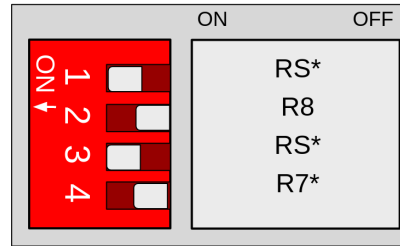
Note To work with RS-485 RE, switch number 1 at ON and number 2 at OFF.*

3. **DE-RS485 / I0.5** – If this switch is ON the DE-RS485 is activated, otherwise the I0.5 will be activated.
4. **I0.5 / DE-RS485** – If this switch is ON the I0.5 is activated, otherwise the DE-RS485 will be activated.

Note To work with RS-485 DE, switch number 3 at ON and number 4 at OFF.*

TOP ZONE SWITCH

| TOP ZONE | | |
|----------|-----|-----|
| SWITCH | ON | OFF |
| RS* | RS* | R8 |
| R8 | R8 | RS* |
| RS* | RS* | R7 |
| R7 | R7 | RS* |

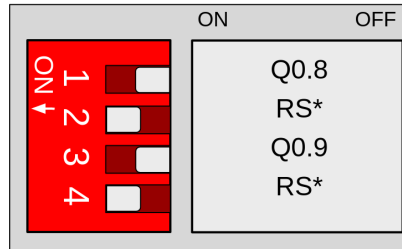


1. **RS*** - If this switch is ON the RS* is activated, otherwise the R8 will be activated.
2. **I0.2** - If this switch is ON the R8 is activated, otherwise the RS* will be activated.
3. **RS*** - If this switch is ON the RS* is activated, otherwise the R7 will be activated.
4. **I0.3** - If this switch is ON the R7 is activated, otherwise the RS* will be activated.

Note RS * can be RS-485 or RS-232 depending on the jumper configuration you have chosen. To work with RS*, switches number 1 and 3 at ON and number 2 and 4 at OFF.*

9.3 006001001200 Analog RS-232 and RS-485 Switch Configuration

| ANALOG TOP ZONE | |
|-----------------|------|
| SWITCH | MODE |
| Q0.8 | OFF |
| RS* | ON |
| Q0.9 | OFF |
| RS* | ON |



RS* TOP ZONE: In order to enable the RS* protocol the TOP ZONE must be configured as it is shown in the table.

Having this setup, the Q0.8 & Q0.9 are disabled.

- 1. Q0.8** - If this switch is ON the Q0.8 is activated, otherwise the RS* will be activated.
- 2. RS*** - If this switch is ON the RS* is activated, otherwise the Q0.8 will be activated.
- 3. Q0.9** - If this switch is ON the Q0.9 is activated, otherwise the RS* will be activated.
- 4. RS*** - If this switch is ON the RS* is activated, otherwise the Q0.9 will be activated.

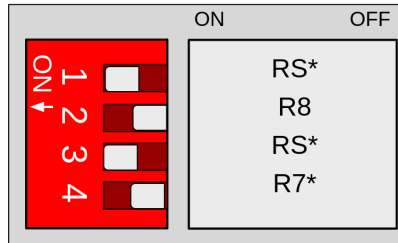
| ANALOG LEFT ZONE | | |
|------------------|------------|------------|
| SWITCH | RS232 MODE | RS485 MODE |
| I0.8 / RS* DE | OFF | ON |
| RS* DE / I0.8 | ON | OFF |
| I0.9 / RS* RE | OFF | ON |
| RS* RE / I0.9 | ON | OFF |
| SDA - GPRS RST | - | - |
| SCL-D3 | - | - |

RS* LEFT ZONE: In order to enable the RS* communication protocol it is necessary that the switches of the left one are configured as it is shown in the table.

The ones marked with “-” mean that they do not affect the RS* communication protocol.

9.4 006001001300 Relay RS-232 and RS-485 Switch Configuration

| RELAY TOP ZONE | |
|----------------|------|
| SWITCH | MODE |
| RS* | ON |
| R8 | OFF |
| RS* | ON |
| R7 | OFF |



RS* TOP ZONE: In order to enable the RS* protocol the TOP ZONE must be configured as it is shown in the table.

Having this setup, the R7 & R8 are disabled.

1. **RS*** - If this switch is ON the RS* is activated, otherwise the R8 will be activated.
2. **R8** - If this switch is ON the R8 is activated. otherwise the RS* will be activated.
3. **RS*** - If this switch is ON the RS* is activated, otherwise the R7 will be activated.
4. **R7** - If this switch is ON the R7 is activated, otherwise the RS* will be activated.

| RELAY LEFT ZONE | | |
|---------------------|------------|------------|
| SWITCH | RS232 MODE | RS485 MODE |
| NC | - | - |
| HD/FD | ON / OFF | ON / OFF |
| R5 / Pin 3-SCL | - | - |
| I0.0 / GPRS RST-SDA | - | - |
| RE-RS485 / I0.4 | OFF | ON |
| I0.4 / RE-RS485 | ON | OFF |
| DE-RS485 / I0.5 | OFF | ON |
| I0.5 / DE-RS485 | ON | OFF |

HD/FD: Choosing between Half Duplex or Full Duplex for the RS* communication. In order to use Full Duplex, it has to be considered the TOP ZONE and the JUMPER ZONE (see [section 9](#)).

RS* LEFT ZONE: In order to enable the RS* communication protocol it is necessary that the switches of the left zone are configured as it is shown in the table.

The ones marked with “-” mean that they do not affect the RS* communication protocol.

9.5 006001001200 Analog I2C Switch Configuration

| TOP ZONE | | LEFT ZONE | |
|----------|------|---------------------|------|
| SWITCH | MODE | SWITCH | MODE |
| Q0.8 | - | I0.8 / RS-485 DE | - |
| RS* | - | RS-485 DE / I0.8 | - |
| Q0.9 | - | I0.9 / RS-485 RE | - |
| RS* | - | RS-485 RE / I0.9 | - |
| | | SDA-GPRS RST / I0.0 | OFF |
| | | SCL-D3 / Q0.6 | OFF |

I2C: Enable SCL and SDA connections (direct Arduino pins) with configuration switches. I0.0 and Q0.6 will not be available. In order to implement this communication a 4.7kΩ pull-up resistor is required.

The ones marked with “-” mean that they do not affect the I2C communication protocol.

9.6 006001001300 Relay I2C Switch Configuration

| TOP ZONE | | LEFT ZONE | |
|----------|------|---------------------|------|
| SWITCH | MODE | SWITCH | MODE |
| RS* | - | NC | - |
| R8 | - | HD / FD* | - |
| RS* | - | R5 / Pin 3-SCL | OFF |
| R7 | - | I0.0 / GPRS RST-SDA | OFF |
| | | RE-RS485 / I04 | - |
| | | I0.4 / RE-RS485 | - |
| | | DE-RS485 / I0.5 | - |
| | | I0.5 / DE-RS485 | - |

I2C: Enable SCL and SDA connections (direct Arduino pins) with configuration switches. I0.0 and R5 will not be available. In order to implement this communication a 4.7kΩ pull-up resistor is required.

The ones marked with “-” mean that they do not affect the I2C communication protocol.

10. Jumper Configuration

10.1 006001001200 Analog General Jumper Configuration

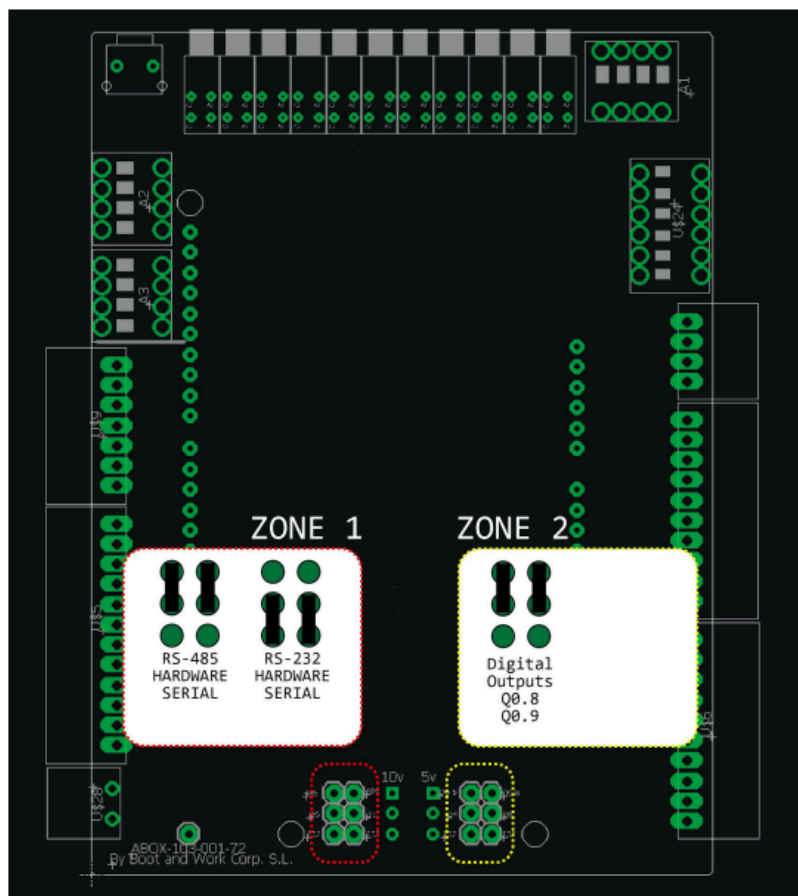
| JUMPER ZONE 1 | |
|---------------|--------|
| LEFT | RIGHT |
| RS-485 | RS-485 |
| D0 | D1 |
| RS-232 | RS-232 |

This jumper makes the choice between connecting MAX232 to pins 0,1 of the Arduino Leonardo or with the MAX485. In order to use the RS-232 Hardware Serial protocol both RS-232 must be connected to the D1/D0. In order to use the RS-485 Hardware Serial protocol both RS-485 must be connected to the D1/D0.

| JUMPER ZONE 2 | |
|---------------|-----------|
| LEFT | RIGHT |
| Q0.9 | Q0.8 |
| D4 | D8 |
| RS-232 SS | RS-232 SS |

This jumper zone makes the choice between connecting the inputs Q0.9, Q0.8 to pins 4 and 8 of the Arduino Leonardo respectively, or connect the RS-232 ports to activate the Software Serial RS-232. In order to use the inputs Q0.9, Q0.8 the jumper must be connected to the pins 4 and 8. So Q0.9 must be connected with D4 and Q0.8 must be connected to D8.

**The jumpers that are not connected to the middle jumpers MUST NOT be Connected anywhere.*



10.2 006001001300 Relay General Jumper Configuration

| JUMPER ZONE 1 | |
|---------------|--------|
| LEFT | RIGHT |
| Y+ | Z- |
| ENABLE | ENABLE |
| A0.0 | A0.1 |

This jumper zone makes the selection between using the RS-485 Full Duplex or the Analog Outputs. If it is wanted to use the RS-485 Full Duplex communication protocol the Y+ must be connected to ENABLE, and Z- also connected to ENABLE. If it is wanted to use the Analog Outputs, the A0.0 must be connected to ENABLE, and A0.1 also connected to ENABLE.

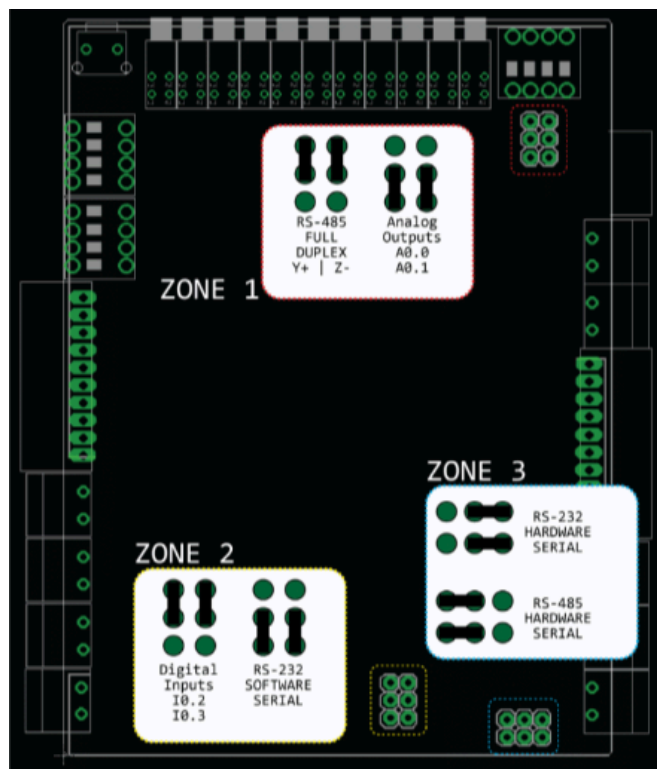
| JUMPER ZONE 2 | |
|---------------|-------|
| LEFT | RIGHT |
| I0.2 | I0.3 |
| D4 | D8 |
| RS-232 | RS232 |

This jumper zone makes the choice between connecting the inputs Q0.9, Q0.8 to pins 4 and 8 of the Arduino Leonardo respectively, or connect the RS-232 ports to activate the Software Serial RS-232. In order to use the inputs Q0.9, Q0.8 the jumper must be connected to the pins 4 and 8. So Q0.9 must be connected with D4 and Q0.8 must be connected to D8.

| JUMPER ZONE 3 | |
|---------------|--------|
| DOWN | UP |
| RS-485 | RS-485 |
| D0 | D1 |
| RS-232 | RS-232 |

This jumper makes the choice between connecting MAX232 to pins 0,1 of the Arduino Leonardo or with the MAX485. In order to use the RS-232 Hardware Serial protocol both RS-232 must be connected to the D1/D0. In order to use the RS-485 Hardware Serial protocol both RS-485 must be connected to the D1/D0.

**The jumpers that are not connected to the middle jumpers MUST NOT be Connected anywhere.*



11. Hardware Serial RS-232 & RS-485 Configuration

11.1 006001001200 Analog Hardware Serial RS-485

In order to enable the Hardware Serial RS-485 the total configuration of the Ardbox Analog HF PLUS will be:

Switch configuration:

| TOP ZONE | | LEFT ZONE | |
|------------------|------|------------------|------|
| ACTIVATED SWITCH | MODE | ACTIVATED SWITCH | MODE |
| Q0.8 | OFF | DE-RS485 | ON |
| RS* | ON | DE-RS485 | OFF |
| Q0.9 | OFF | RE-RS485 | ON |
| RS* | ON | RE-RS485 | OFF |
| | | GPRS RST / IO.0 | - |
| | | SCL-PIN3 / Q0.6 | - |

Jumper configuration:



- Available communication protocols:
 - Hardware Serial RS-485.
 - I2C *If I2C is active IO.0 & Q0.6 are disabled.
 - TTL (SoftwareSerial)
 - USB

11.2 006001001200 Analog Hardware Serial RS-232

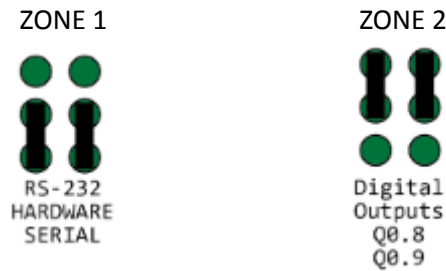
In order to enable the Hardware Serial RS-232 the total configuration of the Ardbox Analog HF PLUS will be:

Switch configuration:

| TOP ZONE | | LEFT ZONE | |
|------------------|------|------------------|------|
| ACTIVATED SWITCH | MODE | ACTIVATED SWITCH | MODE |
| Q0.8 | OFF | I0.8 | OFF |
| RS* | ON | I0.8 | ON |
| Q0.9 | OFF | I0.9 | OFF |
| RS* | ON | I0.9 | ON |
| | | GPRS RST / I0.0 | - |
| | | SCL-PIN3 / Q0.6 | - |

Note: The switches of the left zone of the RS-485 don't interfere in the RS-232 HS. As pins 0 & 1 are reserved for the RS-232, the RS-485 is totally disabled and there is no point on configuring these switches as RS-485 mode

Jumper configuration:



- Available communication protocols:
 - Hardware Serial RS-232.
 - I2C *If I2C is active I0.0 & Q0.6 are disabled
 - TTL
 - USB

11.3 006001001300 Relay Hardware Serial RS-485

In order to enable the Hardware Serial RS-485 the total configuration of the Ardbox Relay HF PLUS will be:

Switch configuration:

| TOP ZONE | | LEFT ZONE | |
|------------------|------|------------------|----------|
| ACTIVATED SWITCH | MODE | ACTIVATED SWITCH | MODE |
| RS* | ON | NC | - |
| R8 | OFF | HD / FD | ON - OFF |
| RS* | ON | R5 / Pin 3-SCL | - |
| R7 | OFF | I0.0 / GPRS RST | - |
| | | RE-RS485 | ON |
| | | RE-RS485 | OFF |
| | | DE-RS485 | ON |
| | | DE-RS485 | OFF |

Jumper configuration:

ZONE 1



ZONE 2



ZONE 3



- Available communication protocols:
 - Hardware Serial RS-485.
 - I2C *If I2C is active I0.0 & R5 are disabled
 - TTL
 - USB

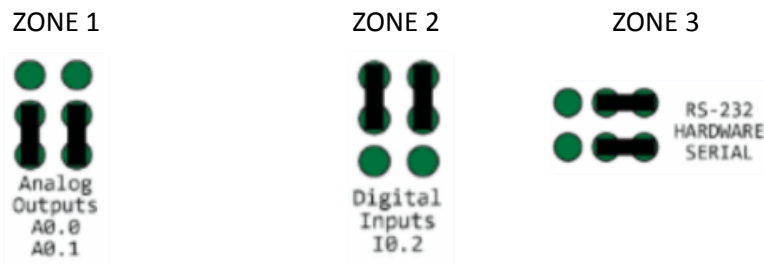
11.4 006001001300 Relay Hardware Serial RS-232

In order to enable the Hardware Serial RS-232 the total configuration of the Ardbox Relay HF PLUS will be:

Switch configuration:

| TOP ZONE | | LEFT ZONE | |
|------------------|------|------------------|----------|
| ACTIVATED SWITCH | MODE | ACTIVATED SWITCH | MODE |
| RS* | ON | NC | - |
| R8 | OFF | HD / FD | ON - OFF |
| RS* | ON | R5 / Pin 3-SCL | - |
| R7 | OFF | I0.0 / GPRS RST | - |
| | | I0.4 | OFF |
| | | I0.4 | ON |
| | | I0.5 | OFF |
| | | I0.5 | ON |

Jumper configuration:



- Available communication protocols:
 - Hardware Serial RS-232.
 - I2C *If I2C is active I0.0 & R5 are disabled
 - TTL
 - USB

12. Ardbox - Arduino I/Os 5V pins

The Ardbox has one of the Leonardo board pins available. This pin can be programmed according to Arduino features such as I/Os operating at 5V. As the pin is directly connected to the Arduino Leonardo board they are not as well protected as the normal inputs. The pin is mainly meant to be used as prototyping.

| Ardbox terminal | Arduino pin |
|-----------------|-------------|
| SCL – Pin 3 | 3 |

***IMPORTANT:** Do not connect the pin in the chart above to voltages higher than 5V. This terminal provides direct access to the Leonardo board.

12.1 I2C pins – SDA/SCL

The I2C protocol is meant to work in a pull-up configuration. The I2C pins in the Arduino Leonardo are not pull-up, so in order to work with the I2C an external pull-up resistor is required. If it is meant to work as a GPIO at 5V, the switches must be set as I2C, (section 8).

These pins are not established with a pull-up or a pull-down configuration. The state of these pins is unknown. If these pins must be used they require a pull-up or a pull-down configuration. The Arduino board allows the pins to be set in a pull-up configuration. If not it must be established as an external pull-up or pull-down circuit in order to correctly work with these pins.

12.2 Pin 3

Pin 3 is only referred to the output Q0.6 for the Analog model and R5 for the Relay model. If the switch configuration is in OFF position the Pin 3 will be available.

The pin is not established with a pull-up or a pull-down configuration. The state of the pin is unknown. If the pin must be used, it requires a pull-up or a pull-down configuration. The Arduino board allows the pin to be set in a pull-up configuration. If not it must be established as an external pull-up or pull-down circuit in order to correctly work with Pin 3.

13. GPRS & GSM

The SIM800L module is the integrated module for the use of GPRS / GSM in this PLC. Its principal features are:

- Quad-band 850/900/1800/1900MHz.
- Only works with 2G technology.
- Can send / receive SMS messages.
- Can send / receive GPRS data (TCP/IP, HTTP, MQTT).
- Controlled by AT Commands (3GPP TS 27.0077, 27.005 and SIMCOM enhanced AT Commands).
- AT Command interface with transmission speed “automatic” detection.
- Max. transmission speed: 85.6 Kbps.
- Serial transmission speed: 1200 bps up to 115200 bps (Baud rate).
- SIM size: Micro SIM.

When defining the pins in the program, take into account that the internal connections between the SIM800L module and the Arduino Leonardo are the following:

| Arduino Leonardo Pinout | SIM800L Pinout |
|-------------------------|----------------|
| 5Vdc | Vcc |
| GND | GND |
| MOSI (Pin 16) | TxD |
| MISO (Pin 14) | RxD |
| Pin 2 | GPRS RESET |

The GPRS / GSM protocol is always enabled as there are no switches that configure it. The protocol uses the SPI pins of the equipment to be able to communicate and the Pin 2 for the module reset.

14. GPRS & GSM Programming Examples

14.1 How to use the GPRS Module

By following the steps on this [post](#)⁷, you will learn how to work with the GPRS Module that is inside the PLC. A brief explanation about the examples provided by the Industrial Shields libraries from GPRS is also done.

14.2 How to send SMS using GPRS from a GPRS Ardbox PLC

Two posts about how SMSs can be sent using GPRS have been written. The first one talks about sending SMS when a temperature sensor reaches a certain threshold. You can find the post [here](#)⁸.

The second one is about general features of the GPRS module and describes an example from Adafruit FONA libraries. Check the [link](#)⁹ to go to the post.

In the examples the communication with an M-Duino GPRS PLC is shown, but the process is identical with the Ardbox models. Select the correct Ardbox board in the Arduino IDE while doing any tutorial.

15. Digital inputs threshold detection

The Ardbox inputs have a minimum voltage threshold to reliably detect the signal when used as digital input. The threshold value is different depending on the input type:

| Input type | Threshold voltage (V) |
|---------------|-----------------------|
| Digital input | 3.7 |
| Analog input | 3.3 |

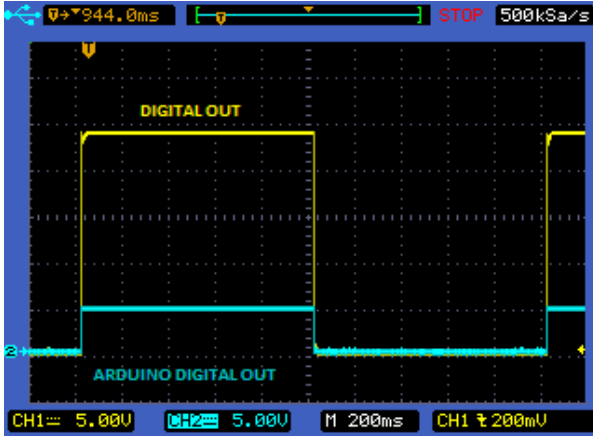
⁷ <https://www.industrialshields.com/blog/arduino-industrial-1/post/how-to-use-gprs-module-158>

⁸ <https://www.industrialshields.com/blog/arduino-industrial-1/post/how-to-send-sms-using-gprs-from-an-mduino-403>

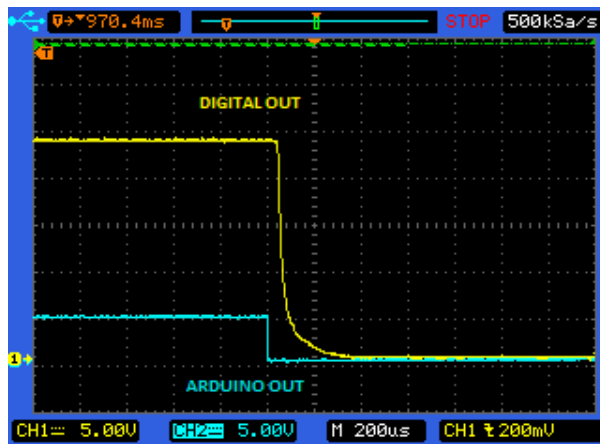
⁹ <https://www.industrialshields.com/blog/arduino-industrial-1/post/how-to-send-sms-by-using-plc-controller-arduino-296>

16. I/O technical details

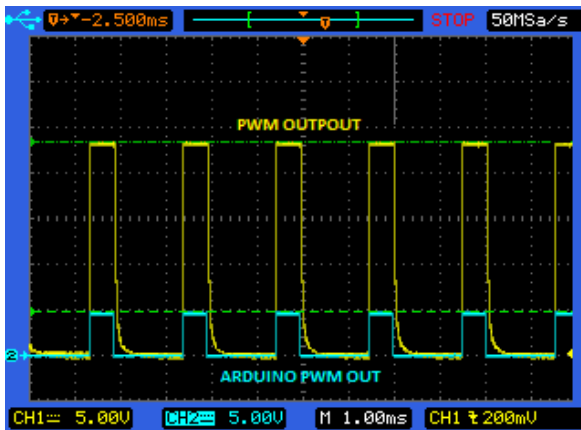
Digital Output Waveform



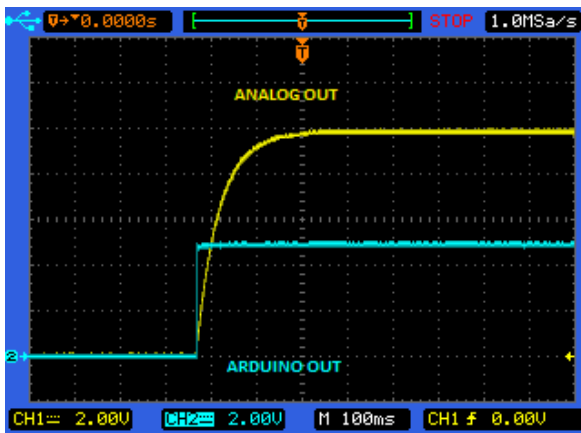
Digital Output Turn-off



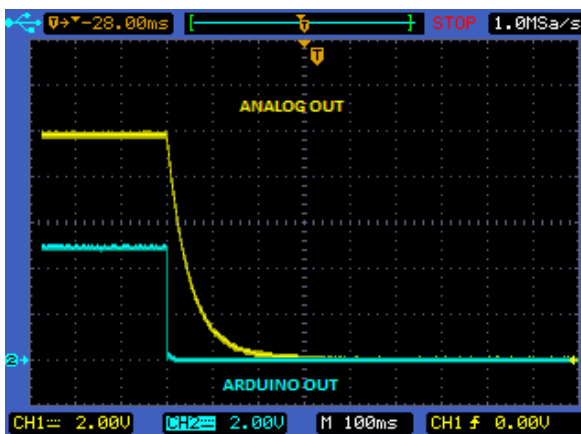
PWM Waveform



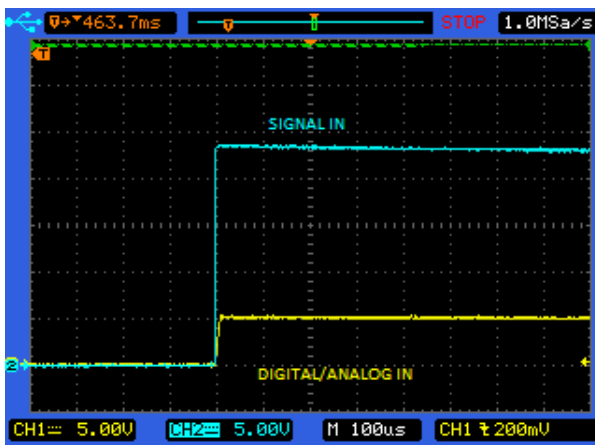
Analog Out Turn-on



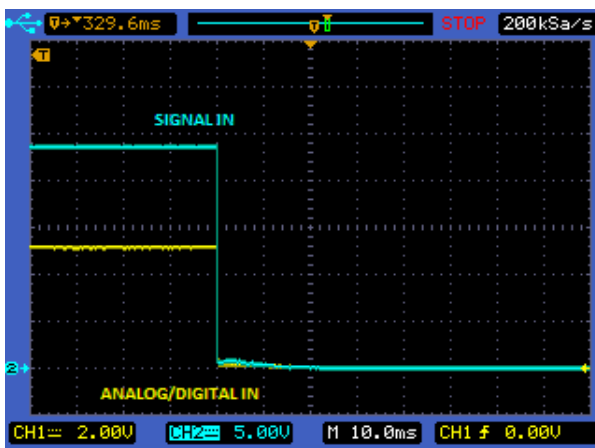
Analog Out Turn-off



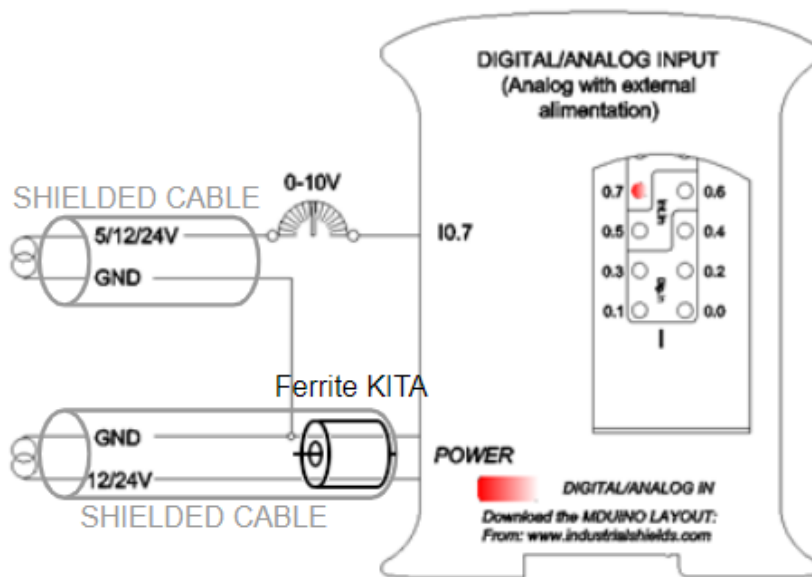
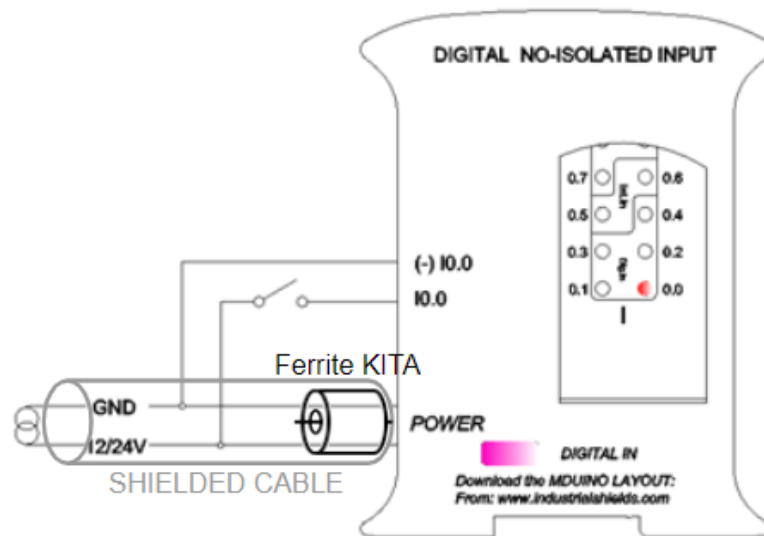
Analog/Digital Input Turn-on

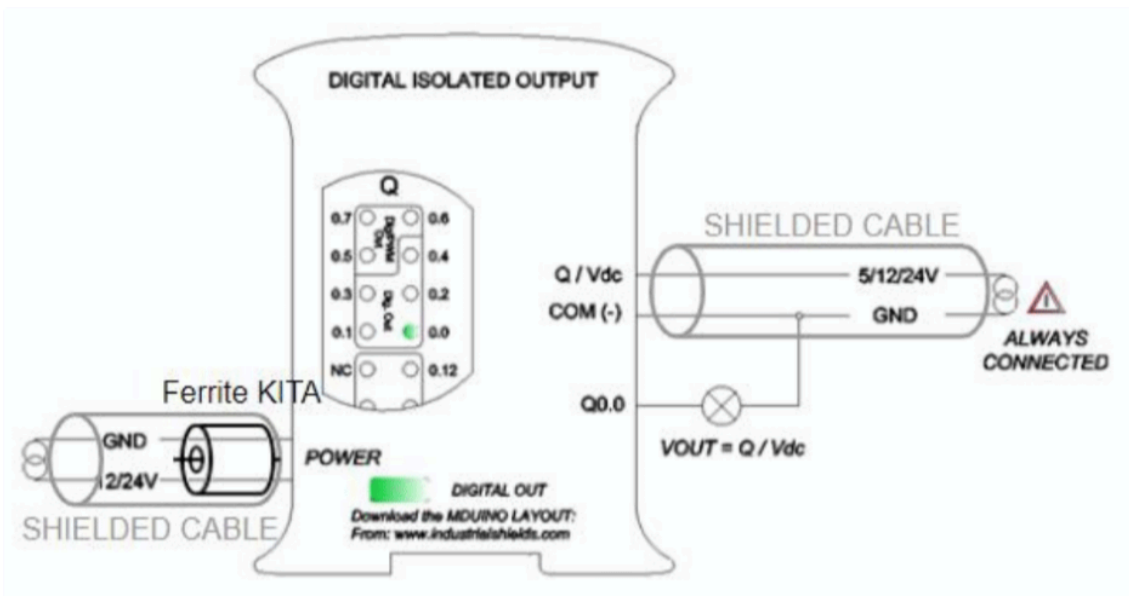
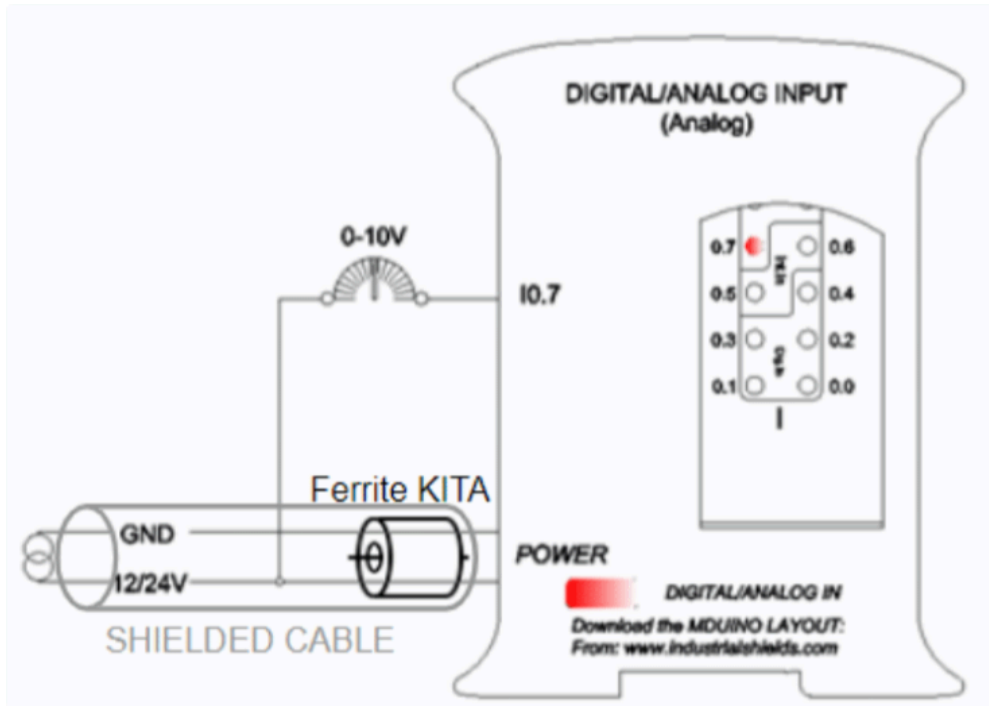


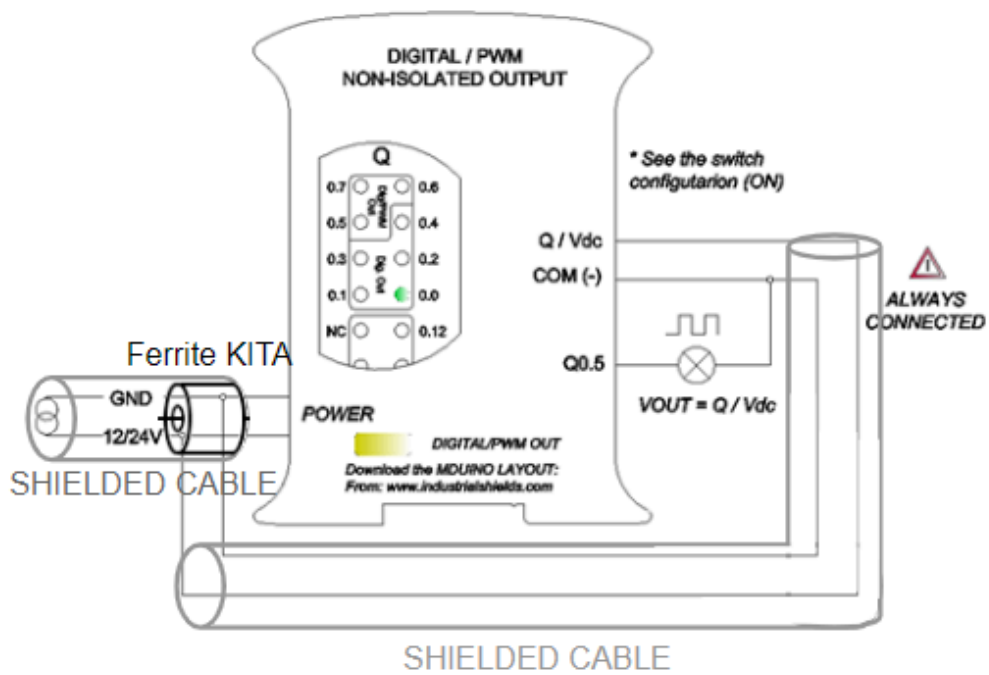
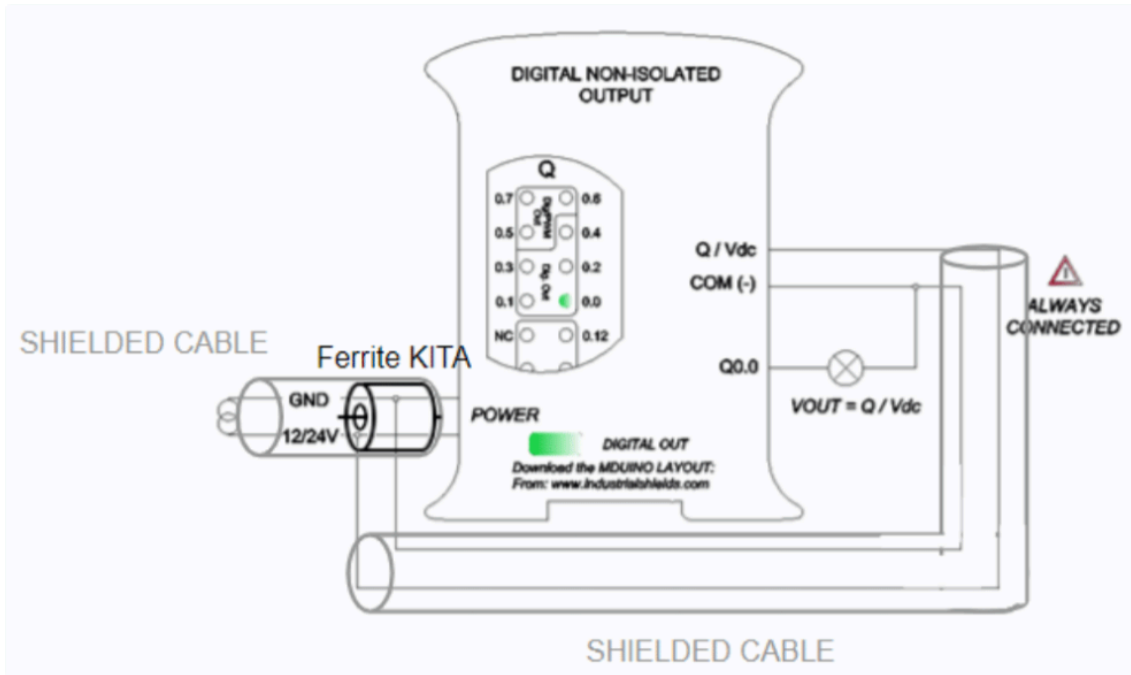
Analog/Digital Input Turn-off

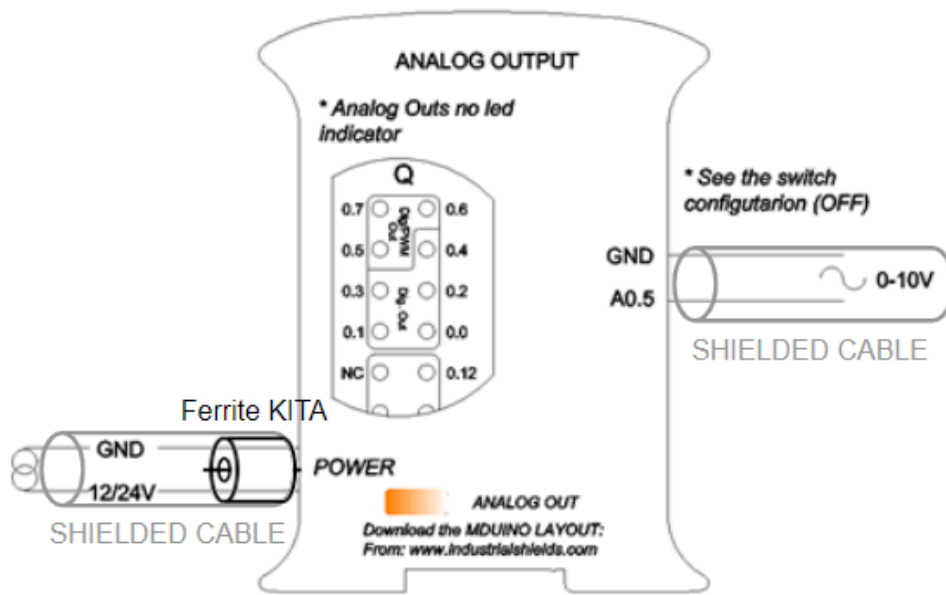


17. Typical Connections









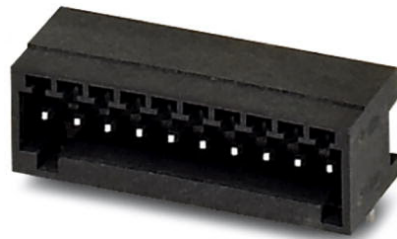
18. Connector details

The connector inside the PLCs that mounts on the PCB is MC 0,5/10-G-2,5 THT – 1963502 from Phoenix contact. MC0,5/10-G-2,5THT

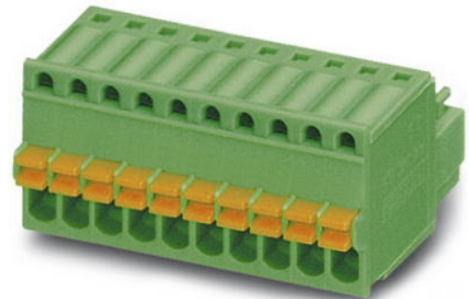
For I/O and power supply there is a FK-MC 0,5/10-ST-2,5 - 1881406 connector from Phoenix contact. FK-MC 0,5/10-ST-2,5

Connection details:

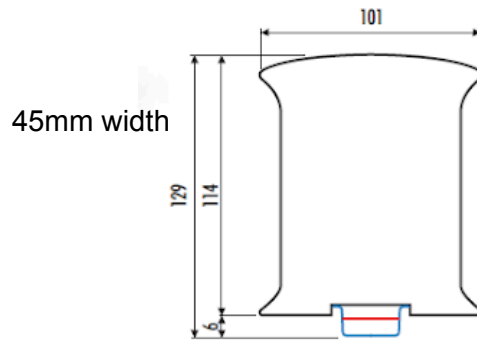
| | |
|--------------------------|------------------------|
| Article reference | MC 0,5/10-G-2,5 THT |
| Height | 8,1mm |
| Pitch | 2,5mm |
| Dimension | 22,5mm |
| Pin dimensions | 0,8x0,8mm |
| Pin spacing | 2,50mm |



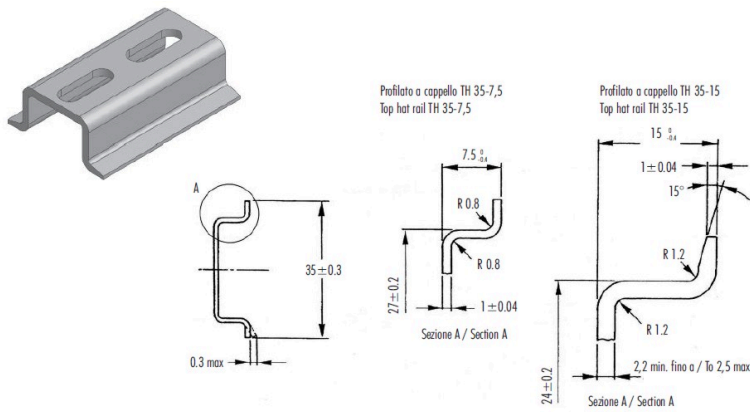
| | |
|---------------------------------------|----------------------|
| Article reference | FK-MC 0,5/10-ST-2,5 |
| Rigid conduit section min. | 0,14 mm ² |
| Rigid conduit section max. | 0,5 mm ² |
| Flexible conduit section min. | 0,14 mm ² |
| Flexible conduit section max. | 0,5 mm ² |
| Conduit section AWG/kcmil min. | 26 |
| Conduit section AWG/kcmil max. | 20 |



19. ARDBOX Family Dimensions



- **DIN rail mounting:**



| CARATTERISTICHE | METODO | UNITA' DI MISURA | BLENDE PC/ABS | FEATURES | TEST METHOD | UNITS | BLENDE PC/ABS | | |
|----------------------------------|--|------------------|--------------------|-----------|------------------------|--|---------------|--------------------|-----------|
| Meccaniche | Resistenza a trazione allo scarramento | ASTM D638 | MPa | 68 | Mechanical test | Resistance to tensile stress at yield | ASTM D638 | MPa | 68 |
| | Resistenza a trazione a rottura | ASTM D638 | MPa | 48 | | Tensile strength | ASTM D638 | MPa | 48 |
| | Allungamento a rottura | ASTM D638 | % | 59 | | Ultimate elongation | ASTM D638 | % | 59 |
| | Modulo in flessione | ASTM D790 | MPa | 2894 | | Flexing modulus | ASTM D790 | MPa | 2894 |
| Termiche | Prova Load con intaglio | ISO 180/14 | kJ/m^2 | 5.5 | Thermal test | Load test method | ISO 180/14 | kJ/m^2 | 5.5 |
| | Temperatura di scorrimento Visc. metodo B | ASTM D1525 | $^{\circ}\text{C}$ | 114 | | Visc. softening temperature method B | ASTM D1525 | $^{\circ}\text{C}$ | 114 |
| | Temperatura di rottura 1.81 MPa | ASTM D648 | $^{\circ}\text{C}$ | 97 | | Robustness temperature 1.81 MPa | ASTM D648 | $^{\circ}\text{C}$ | 97 |
| Fisiche | Pesa specifica | ASTM D792 | g/cm^3 | 1.21 | Physical test | Specific gravity | ASTM D792 | g/cm^3 | 1.21 |
| | Ritiro nella stampa | ASTM D955 | % | 0.4/0.6 | | Mold shrinkage | ASTM D955 | % | 0.4/0.6 |
| | Melt Flow Index 260 $^{\circ}\text{C}$ - 98N | ASTM D1238 | $\text{g}/10'$ | 11.1 | | Melt Flow Index 260 $^{\circ}\text{C}$ - 98N | ASTM D1238 | $\text{g}/10'$ | 11.1 |
| Comportamento alla fiamma | Autosigillatura (mm di spessore) | UL94 | - | V-0 (0.8) | Flame test | Self extinguisher (thickness in mm) | UL94 | - | V-0 (0.8) |
| | Filo inardevibile 3.2 mm | IEC 695.2.1 | $^{\circ}\text{C}$ | 960 | | Inardescante thread 3.2 mm | IEC 695.2.1 | $^{\circ}\text{C}$ | 960 |

Italtmatic si riserva il diritto di modificare il materiale con cui realizza i propri prodotti senza obbligo di preavviso.

Italtmatic can operate any change of the materials without being obliged to forewarn.

20. Installation and Maintenance

Notes for installation:

- The installation position should be free from the following: dust or oil smoke, conductive dust, corrosive or flammable gas, high temperature, condensation, and rain.
- Besides, vibration and impact also affect the PLC normal operation and shorten its lifespan; electric shock, fire or misact also damages the product. During drilling or wiring, prevent the metal particles or wire segments from falling into the PLC casing, which may cause fire, fault or misact.
- After the PLC installation, clean the ventilation duct to prevent blocking, which may cause bad ventilation, or even fire, faults or misact.
- Do not online connect, plug or unplug cables, which are apt to cause electric shock or damage the circuit. Installation and wire connection must be firm and reliable. Poor connection could cause misact.
- Use shielded twisted pairs for the I/O of high frequency signal and analog signal to improve system IMS.

The installation environment should be free from dust, oil smoke, conductive particles, corrosive or flammable gases, high temperature, condensation, and rain.

Besides, vibration and impact also affect the PLC normal operation and shorten its lifespan. It is recommended to install the PLC, together with the matching switches and contactors, in a dedicated electric cabinet and keep the cabinet ventilated. If the location has high ambient temperature or heat generating equipment nearby, install forced convection devices on top or sides of the cabinet to avoid over-temperature. During drilling or wiring, prevent the metal particles or wire segments from falling into the PLC casing, which may cause fire, fault or misact. After the PLC installation, clean the ventilation duct to prevent blocking, which may cause bad ventilation, or even fire, faults or misact.

The only way to disconnect the equipment from the electrical network is by removing the connectors that feed the equipment. Once installed in the electrical cabinet it is very important to ensure the power connectors for proper operation.

Separate the ARDBOX 20 I/Os Family HF PLUS from heat, high voltage and electrical noise:

Always separate the devices that generate high voltage and high electrical noise from the ARDBOX 20 I/Os Family HF PLUS. When configuring the layout of the ARDBOX 20 I/Os Family HF PLUS inside your panel, consider the heat-generating devices and locate the electronic-type devices in the cooler areas of your cabinet. Reducing the exposure to a high-temperature environment will extend the operating life of any electronic device. Consider also the routing of the wiring for the devices in the electric cabinet. Avoid placing low-voltage signal wires and communications cables in the same tray with AC power wiring and high energy, rapidly-switched DC wiring.

Provide adequate clearance for cooling and wiring ARDBOX 20 I/Os Family HF PLUS. Is designed for natural convection cooling. For proper cooling, you must provide a clearance of at least 25cm above and below the devices. Also, allow at least 25cm of depth between the front of the modules and the inside of the enclosure.

Notes for maintenance:

A well-planned and executed maintenance program is essential to the satisfactory operation of solid-state electrical equipment. The kind and frequency of the maintenance operation will vary with the kind and complexity of the equipment as well as with the nature of the operating conditions. Maintenance recommendations of the manufacturer or appropriate product standards should be followed.

The following factors should be considered when formulating a maintenance program:

- Maintenance must be performed by qualified personnel familiar with the construction, operation, and hazards involved with the control.
- Maintenance should be performed with the control out of operation and disconnected from all sources of power.
- Care should be taken when servicing electrostatic sensitive components. The manufacturer's recommendations for these components should be followed.
- Ventilation passages should be kept open. If the equipment depends upon auxiliary cooling, e.g., air, water, or oil, periodic inspection (with filter replacement when necessary) should be made of these systems.
- The means employed for grounding or insulating the equipment from ground should be checked to assure its integrity.
- Accumulations of dust and dirt on all parts, including on semiconductor heat sinks, should be removed according to the manufacturer's instructions, if provided; otherwise, the manufacturer should be consulted. Care must be taken to avoid damaging any delicate components and to avoid displacing dust, dirt, or debris in a way that permits it to enter or settle into parts of the control equipment.
- Enclosures should be inspected for evidence of deterioration. Accumulated dust and dirt should be removed from the top of the enclosures before opening doors or removing covers.
- Certain hazardous materials removed as part of maintenance or repair procedure (e.g., polychlorinated biphenyls (PCBs) found in some liquid filled capacitors) must be disposed of as described in Federal regulations.

Safety rules for maintenance personnel

Consider the following steps to follow. A false manoeuvre could be the cause of an accident or material damage.

Do not disassemble or modify the modules. This could lead to breakdowns or malfunctions and could lead to injuries or fire.

- All types of radio communication devices, including mobile phones and personal handy-phone systems (PHS), must be kept more than **25cm** away from the PLC in all directions. Failure to observe this precaution exposes malfunctions caused by excess temperature.
- Disconnect the external power supply of the system (on all phases) before connecting or disconnecting a module. Failure to observe this precaution may cause faults or malfunctions of the module.

- Tighten the screws of the terminal ports and the screws of the connectors within the prescribed tightening torque. Insufficient tightening can lead to loose parts or wires and cause malfunctions. Excessive tightening can damage the screws and / or the module, with the risk of falling, short circuits and malfunctions.
- Before handling a module, dispose of the electrostatic charge accumulated by the human body by touching a suitable conductive object. Failure to observe this precaution may cause faults or malfunctions of the module.

Repair note:

If the equipment is suitable to be repaired, it must be verified that the equipment remains in a safe state after repair.

21. Revision Table

| Revision Number | Date | Changes |
|-----------------|------------|---|
| 0 | 30/08/2019 | First implementation |
| 1 | 04/03/2020 | Second implementation |
| 2 | 19/10/2022 | Family Implementation |
| 3 | 11/03/2024 | Added section 15 "Digital inputs threshold detection" |
| 4 | 13/03/2024 | RS* Switches Revision |
| 5 | 21/03/2024 | Section 8.2 Digital inputs fix |
| 6 | 26/09/2024 | Added section 3.4 ("Isolation Precautions") |

About Industrial Shields:

Direction: Camí del Grau, 25

Zip/Postal Code: 08272

City: Sant Fruitós de Bages (Barcelona)

Country: Spain

Telephone: (+34) 938 760 191 / (+34) 635 693 611

Mail: industrialshields@industrialshields.com